



VKC-1349/12-24

Article-No.: 92499

1/3" Colour Camera with DSP,
AGC, APC BLC, ESC, AWB,
12VDC/24VAC, 540TVL

Mainfeatures

Resolution of 540 Horizontal Lines
Sensitivity of 0.8Lux (at F1.2)
Electronic Shutter Control (ESC)
Horizontal and Vertical Aperture Correction (APC)
Automatic White Balance with Hold Function (AWB)
Adjustable Video Transmission Distance

Automatic Gain Control (AGC)
Back Light Compensation (BLC)
Automatic AI/DC Control Selection (Depend on Lens)
Integrated Eclipse and Flickerless Function
Auto Blemish Compensation (up to 32 Pixels)
Supply Voltage: 12VDC/24VAC




Specifications

System	colour
Video standard	PAL
Sensor size	1/3"
Imager	CCD
Imager	1/3" Sharp Interline Transfer CCD
Active picture elements	440,000, 752(H) x 582(V)
Horizontal resolution	540 TVL
Synchronization	Internal/AC line lock
Signal-to-noise ratio	48dB (AGC OFF)
Gamma correction	0.6/1.0
Sensitivity (at 50% video signal)	0,8 Lux
Sensitivity (at 50% video signal)	at F1.2 (measured)
Low speed shutter	no
Digital Noise Reduction (DNR)	no
Backlight compensation	BLC, eclipser
Wide Dynamic Range (WDR)	no

Specifications (continued)

White balance	automatic/manually
Blemish compensation	automatic blemish detection and compensation (for up to 32 pixels)
Aperture Correction (APC)	horizontal and vertical
Flickerless function	1/120sec., On/Off switchable
OSD function control	OSD camera setup: Pixel correction, Eclipser, BLC, AWB, Chroma, ESC, AGC, Flickerless, Aperture, Masking (Window blanking), Transmission distance compensation
Lens mount	CS mount
Iris control	Manual iris, Auto-Iris/DC controlled
External adjustments	Flange focus Switch for setup menu
Video outputs	composite (CVBS)
Video outputs	1Vp-p, CVBS, 75ohms, BNC
External connections	DC Iris control (4 pin), Video (BNC), Power input
Serial interfaces	no
Camera mount	1/4" - 20 UNC thread on top and bottom
Supply voltage	24VAC, 12VDC
Supply voltage	(+/-15%), 24VAC (+/-15%) 50Hz
Power consumption	approx. 4.8W (at 12VDC)
Temperature range (operation)	0°C ~ +40°C
Dimensions (HxWxD)	see drawing
Weight	200g
Parts supplied	4-pin plug, Allan key, Manual on CD ROM
Certificates	CE

Optional Accessories

Image	Artikel-Nr. / Typ	Description
	VT-PS12DC-7	Pluggable PSU w. Cont. & UK Mains plug-in 100-240VAC/12VDC-1.25A, Regulated
	WD-22	Wall Mount Bracket with Ball Joint, 1/4" Camera Fixing Screw, Beige Grey
	WD-23	Wall Mount Bracket with Ball Joint, 1/4" Camera Fixing Screw, Pantone 877

Optional Accessories (continued)

Image	Artikel-Nr. / Typ	Description
	F0212M-NFS	F1.2/2.2mm Fixed Focal Length Lens with No Focus Shift, 1/3" CS Mount
	F0312M-NFS	F1.2/2.8mm Fixed Focal Length Lens with No Focus Shift, 1/3" CS Mount
	F0412M-NFS	F1.2/4mm Fixed Focal Length Lens with No Focus Shift, 1/3" CS Mount
	F0612M-NFS	F1.2/6mm Fixed Focal Length Lens with No Focus Shift, 1/3" CS Mount
	F0812M-NFS	F1.2/8mm Fixed Focal Length Lens with No Focus Shift, 1/3" CS Mount
	F0212NDDC-NFS	F1.2/2.2mm DC Lens with No Focus Shift, 1/3" CS Mount
	F0312NDDC-NFS	F1.2/2.8mm DC Lens with No Focus Shift, 1/3" CS Mount

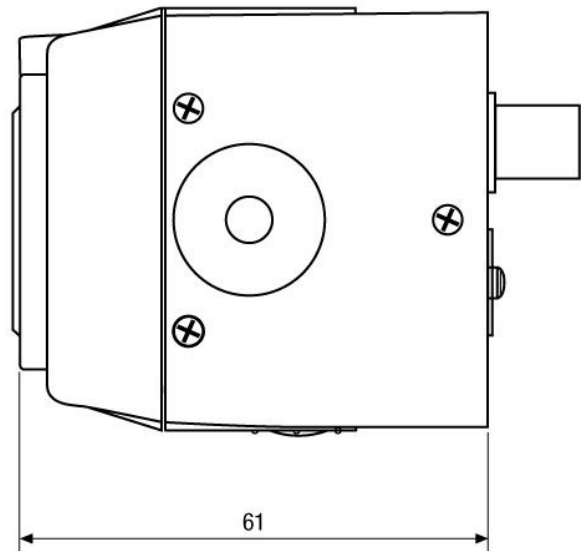
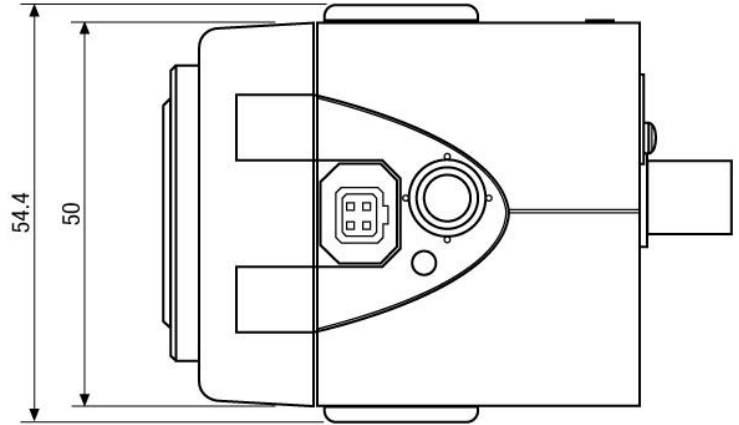
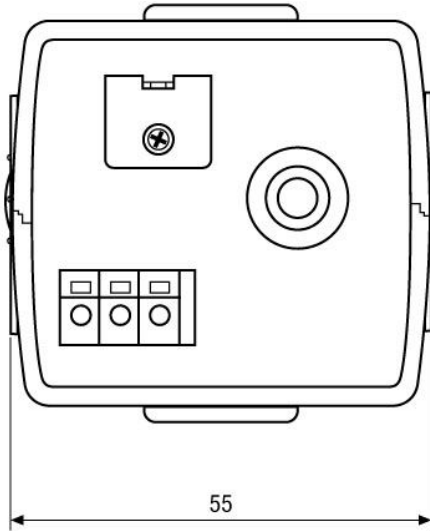
Optional Accessories (continued)

Image	Artikel-Nr. / Typ	Description
	F0412NDDC-NFS	F1.2/4mm DC Lens with No Focus Shift, 1/3" CS Mount
	F0612NDDC-NFS	F1.2/6mm DC Lens with No Focus Shift, 1/3" CS Mount
	B18Z06MA1	F2,5/18-108mm Macro Zoom Lens, 2/3", C Mount
	G04Z03M-NFS	F1.2/4.5-12.5mm Lens, Var. Focal Length with No Focus Shift, 1/2", CS Mount
	YV5X2.7R4B-SA2L	F1.3/2.7-13.5mm DC Varifocal Lens, No Focus Shift, 1/3" CS Mount
	F03Z04NDDC-NFS	F1.4/2.8-11mm DC Lens/var. Focal Length No Focus Shift, 1/3" CS Mount
	F03Z2.710DC-NFS	F1.0/3-8mm DC Lens/var. Focal Length with No Focus Shift, 1/3" CS Mount

Optional Accessories (continued)

Image	Artikel-Nr. / Typ	Description
	G04Z03NDDC-NFS	F1.2/4.5-12.5mm DC Lens/variable Focal Length, No Focus Shift, 1/2" CS Mount
	YV10X5HR4A-SA2L	F1.6/5-50mm Megapixel DC Lens, 1/3", Varifocal, No Focus Shift, CS Mount
	F07Z07NDDC-NFS	F1.3/7.5-50mm DC Lens/var. Focal Length with No Focus Shift, 1/3" CS Mount
	A10Z04NDDC-NFS	F1.4/10-40mm DC Lens/var. Focal Length with No Focus Shift, 1/2" C Mount
	C/CS RING-AL	Adapter Ring, C/CS Mount, Aluminium anodized
	VT-PS12DC-9	Plug-in Power Supply Unit 100-240VAC 12VDC (1.0Amp), Regulated, w. open Ends

Technical Drawing



Maße/Dimensions: mm

Your partner for eneo products:

