



## VKC-1331A

Article-No.: 92531

1/3" Cylindric Camera, Colour,  
3.6mm, 550TVL, 12VDC

### Mainfeatures

Cylindric colour CCD Camera  
Sensitivity of 0.2 Lux (F1.2)  
Automatic gain control (AGC)  
Supply voltage: 12VDC  
Mounting stand with swivel head

1/3" Sony Super HAD II CCD  
Automatic shutter control (ESC)  
Automatic white balance (AWB)  
Weatherproof aluminium housing (IP67)  
Compact version (19mm outside diameter)


### Specifications

System	colour
Video standard	PAL
Sensor size	1/3"
Imager	CCD
Imager	Sony Super HAD II Interline Transfer
Active picture elements	440,000, 752(H) x 582(V)
Synchronization	internal
Signal-to-noise ratio	48dB
Gamma correction	0.45
Horizontal resolution	550 TVL
Sensitivity (at 50% video signal)	0,18 Lux
Sensitivity (at 50% video signal)	at F1.2 (measured)
Automatic electronic shutter (ESC)	1/4 - 1/100,000sec.
Low speed shutter	no
Automatic gain control (AGC)	yes
Digital Noise Reduction (DNR)	no
White balance	automatic (2100 - 8000K)

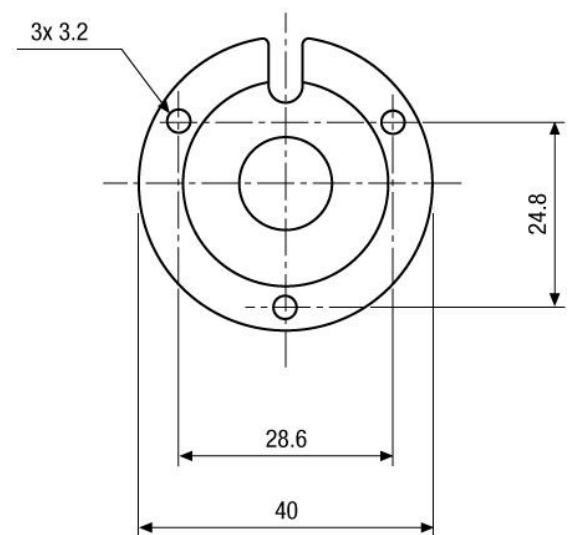
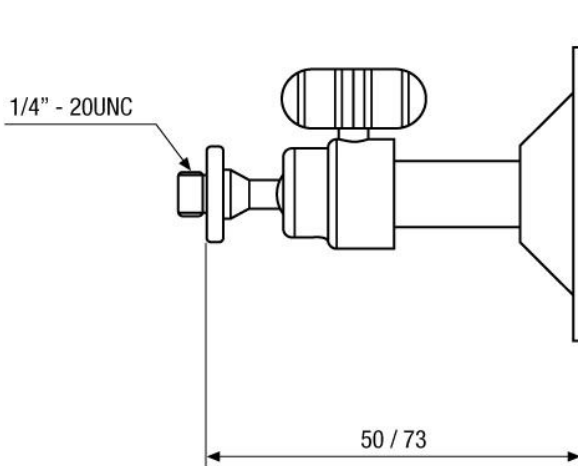
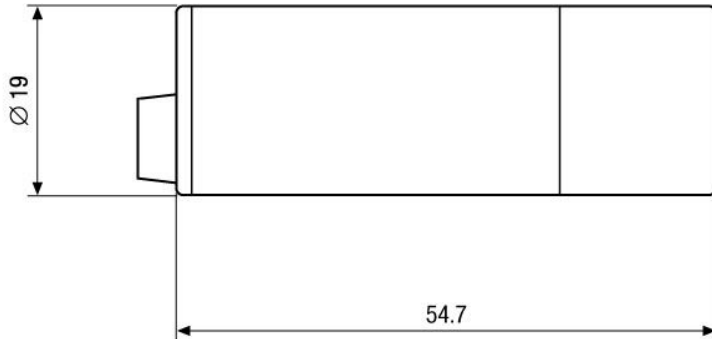
## Specifications (continued)

Backlight compensation	no
Wide Dynamic Range (WDR)	no
IR cut filter	standard
Video outputs	composite (CVBS)
Lens type	fixed focal length
Lens	F2.0/3.6mm
Focal length	3,6 mm
e-PTZ support	no
Digital zoom	no
Horizontal angle of view	69°
Iris control	no
MOD (Minimum object distance)	0,1 m
Illumination	no
Activity detection	no
Serial interfaces	no
Cable connection	Wiring for video and voltage supply made, accessible from outside (approx. 0.5m long, Video: BNC jack 12/24V input: for DC plug 2.1/5.5mm)
Temperature range (operation)	-10°C ~ +50°C
Housing material	aluminium
Housing	outdoor
Integrated wall mount	no
Hidden cable management	no
Sunshield	no
Window heater	no
Colour (housing)	black
Vandalism resistant	no
Protection rating	IP67
Alarm inputs	-
Alarm outputs	-
Supply voltage	12VDC
Power consumption	approx. 1.7W
Dimensions (HxWxD)	19x19x54,7 mm
Weight	48g
Parts supplied	Camera, Manual, Wall and ceiling mount bracket, Fixing screws
Certificates	CE

## Optional Accessories

Image	Artikel-Nr. / Typ	Description
	VT-PS12DC-8	Plug-in Power Supply Unit 100-240VAC 12VDC (1.0Amp), Regulated, with DC Plug

## Technical Drawing



Maße/Dimensions: mm



Your partner for eneo products:

