



## VKC-1370/12-24

Article-No.: 92538

1/3" Day&Night Camera, 540TVL,  
12VDC/24VAC

### Mainfeatures

1/3" Super HAD colour CCD  
Automatic gain control (AGC)  
Switchable backlight compensation (BLC)  
Switchable flickerless adjustment  
Enhanced sharpness compensation  
Supply voltage: 12VDC or 24VAC

Sensitivity of 0.04Lux at F1.2 (b&w)  
Removable IR cut filter  
Iris/Shutter control selectable (ALC/ESC)  
Automatic white balance (ATW)  
DC iris control  
CS mount





### Specifications

System	day&night
Video standard	PAL
Sensor size	1/3"
Imager	CCD
Imager	Sony Super HAD II Interline Transfer
Active picture elements	440,000 (H) 752 x (V) 582 pixels
Horizontal resolution	540 TVL
Synchronization	internal
Signal-to-noise ratio	50dB (AGC OFF)
Sensitivity (at 50% video signal)	0,15 Lux
Sensitivity (at 50% video signal)	(colour), 0.04Lux (B&W) at F1.2 measured)
Automatic electronic shutter (ESC)	1/50 - 1/100,000sec.
Low speed shutter	no
Digital Noise Reduction (DNR)	no
Backlight compensation	BLC
Backlight compensation	ON/OFF switchable

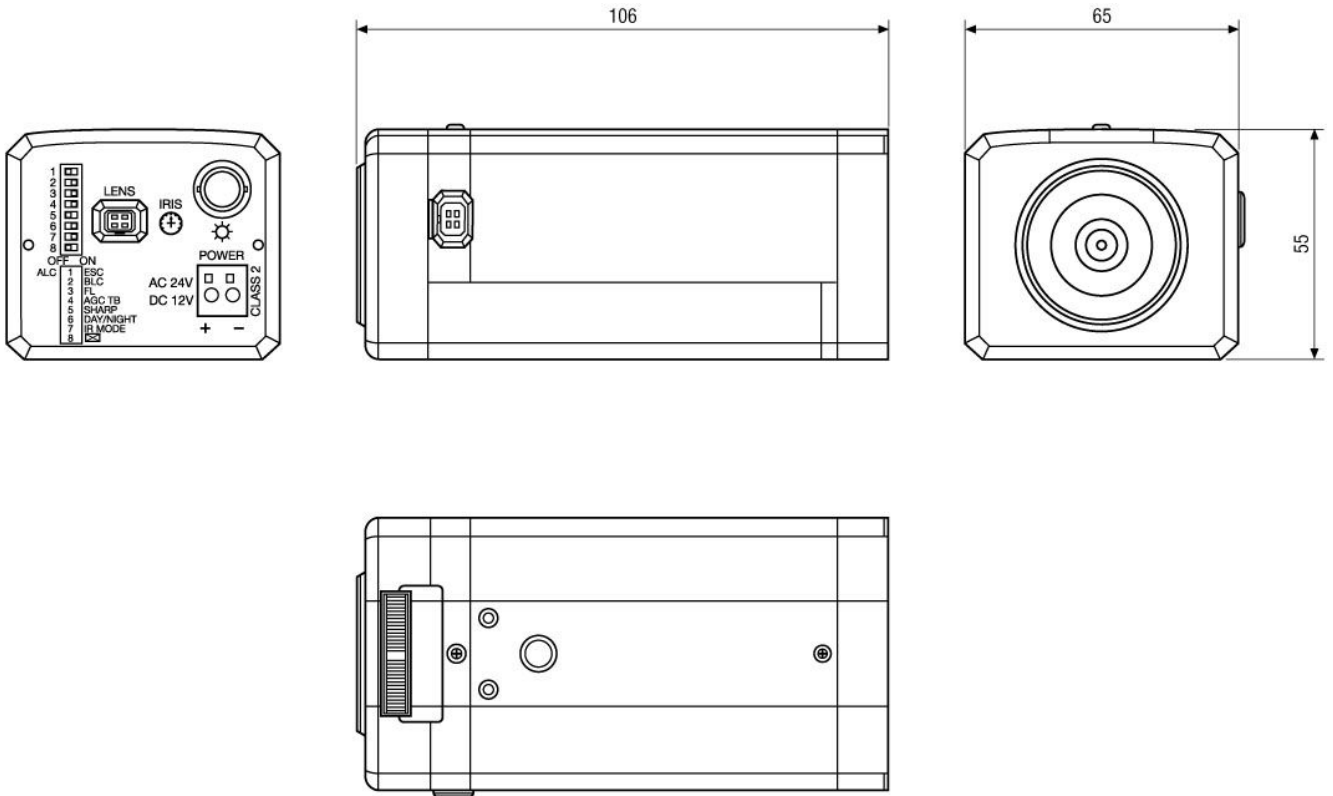
## Specifications (continued)

Wide Dynamic Range (WDR)	no
White balance	automatic/manually (2000K - 8000K)
Aperture Correction (APC)	horizontal and vertical
Flickerless function	yes
IR cut filter	switchable
Day/Night switching	automatic and manual
OSD function control	sharpness correction
Activity detection	no
Digital zoom	no
e-PTZ support	no
Lens mount	CS mount
Iris control	Manual iris, DC controlled iris
Illumination	no
External adjustments	8 DIP switches for: ALC/ESC, BLC On/Off, Flickerless On/Off, Turbo AGC On/Off, Sharpnes On/Off, Day/Night, IR mode On/Off. Level for DC voltage controlled iris, Flange focus
Video outputs	composite (CVBS)
Video outputs	1Vp-p, (C)VBS, 75ohms, BNC
External connections	DC Iris control (4 pin), Video (BNC), Power input
Serial interfaces	no
Camera mount	1/4" - 20 UNC thread on top and bottom
Alarm inputs	-
Alarm outputs	-
Supply voltage	12VDC, 24VAC
Supply voltage	10 - 30VDC, 15 - 29VAC
Power consumption	3.0W
Housing	indoor
Colour	Pantone Cool Gray 2C
Hidden cable management	no
Vandalism resistant	no
Protection rating	n/a
Temperature range (operation)	-10°C ~ +50°C
Dimensions (HxWxD)	55x65x106mm
Weight	275g
Parts supplied	Camera, Manual
Certificates	CE

## Optional Accessories

Image	Artikel-Nr. / Typ	Description
	WD-23	Wall Mount Bracket with Ball Joint, 1/4" Camera Fixing Screw, Pantone 877
	F03Z2.6DC-NFSHR	F1.0/3-8mm DC Lens, Varifocal, No Focus Shift, High Resolution, 1/3" CS Mount
	VT-PS12DC-9	Plug-in Power Supply Unit 100-240VAC 12VDC (1.0Amp), Regulated, w. open Ends
	VTL-WWD	Weatherproof Housing (300mm) RAL9002, Wallbracket, Thermostat, Heater 12-24V

## Technical Drawing



Maße/Dimensions: mm

Your partner for eneo products:

