



VKC-1371/IR-3.6

Article-No.: 92543

1/3" Camera, Day&Night, 3.6mm,
550TVL, IR Illumination,
12VDC, IP67

Mainfeatures

Weatherproof day/night CCD camera
Sensitivity of 0.22Lux at F1.2 (colour)
IR illumination by 30 integrated 850nm LEDs
Automatic shutter control (ESC)
Supply voltage: 12VDC
Protection rating: IP67

1/3" Sony Super HAD II CCD
B&W display at night time and IR LED illumination
Approx. 30m illumination range
Automatic white balance (AWB)
Aluminium housing with sunshield
Mounting stand with cable concealed thru bracket


Specifications

System	day&night
Sensor size	1/3"
Imager	CCD
Imager	Sony Super HAD II Interline Transfer
Active picture elements	470,000, 795(H) x 596(V)
Synchronization	internal
Signal-to-noise ratio	45db (AGC Off)
Gamma correction	0.45
Horizontal resolution	550 TVL
Sensitivity (at 50% video signal)	0,22 Lux
Sensitivity (at 50% video signal)	(colour) at F1.2 (measured)
Automatic electronic shutter (ESC)	1/50 - 1/100,000sec.
Low speed shutter	no
Automatic gain control (AGC)	yes
Digital Noise Reduction (DNR)	no
White balance	automatic

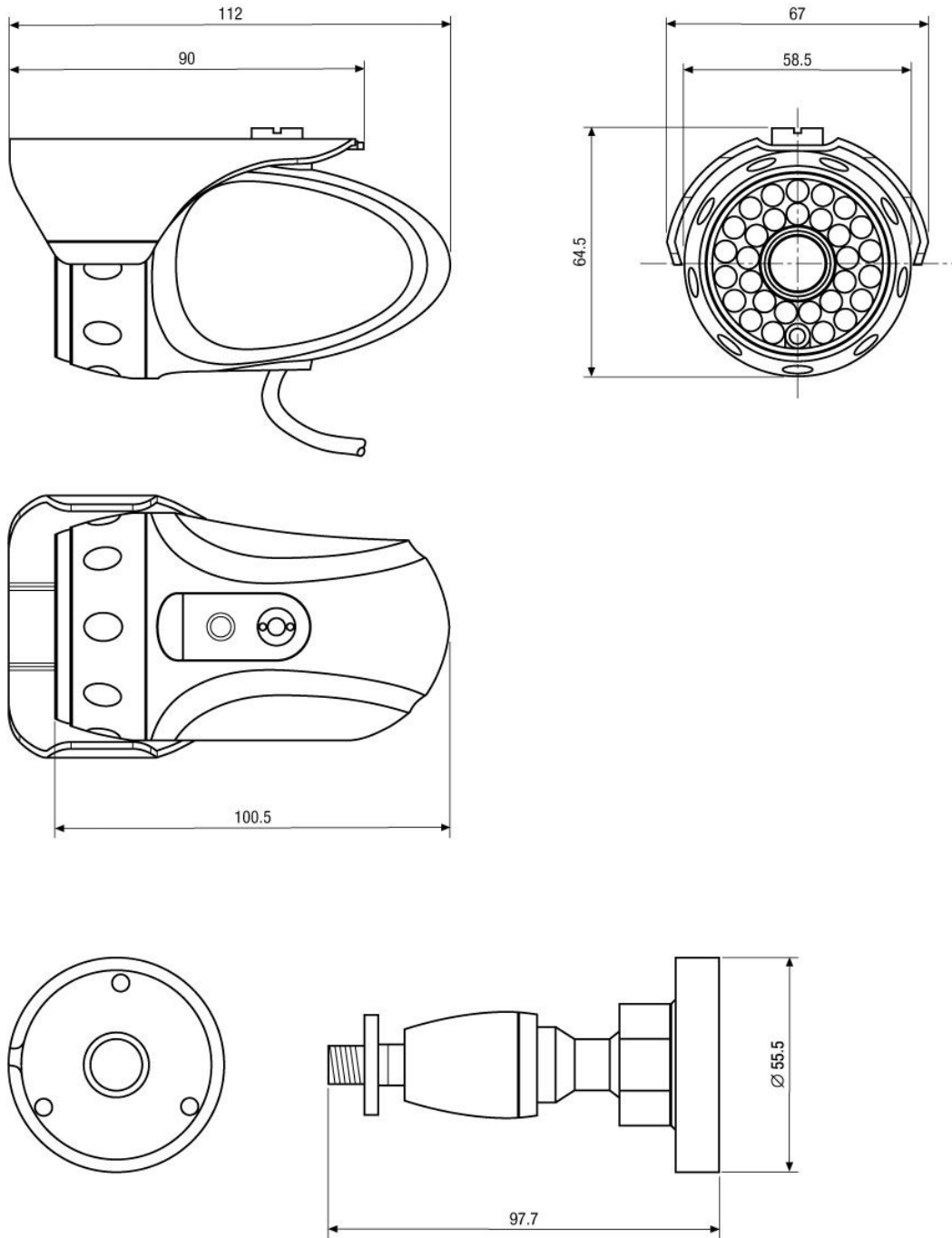
Specifications (continued)

Backlight compensation	no
Wide Dynamic Range (WDR)	no
Aperture Correction (APC)	horizontal and vertical
IR cut filter	OLPF (Overlay Low Pass Filter)
Internal adjustments	-
Video outputs	composite (CVBS)
Lens type	fixed focal length
Lens	F2.0/3.6mm w/o. iris (IR corrected and NFS)
Focal length	3,6 mm
e-PTZ support	no
Digital zoom	no
Horizontal angle of view	67,4°
Iris control	no
MOD (Minimum object distance)	0,2 m
Illumination	infrared
Illumination	30x LED's 850nm at 45° illumination angle. Due to an integrated light sensor the LED illumination will be switched ON (+1Lux) / OFF (+3Lux), depending on environmental illumination conditions.
Illumination range	approx. 30m (at a good light reflexion and 40% Videosignal)
Activity detection	no
Serial interfaces	no
External connections	Video (BNC), 12VDC (DC socket)
Kind of mounting	1/4"-20 thread on rear side
Mounting	wall mount
Temperature range (operation)	-10°C ~ +50°C
Housing material	aluminium
Housing	outdoor
Integrated wall mount	yes
Hidden cable management	yes
Window screen	coated plastic for outdoor use, clear window section for the lens
Sunshield	yes
Window heater	no
Colour (housing)	silver grey
Vandalism resistant	no
Protection rating	IP67
Alarm inputs	no
Alarm outputs	no
Supply voltage	12VDC
Supply voltage	(+/-10%)
Power consumption	3W
Weight	370g (incl. stand)
Remarks	Lens fitted for Day&Night application
Certificates	CE

Optional Accessories

Image	Artikel-Nr. / Typ	Description
	VT-PS12DC-8	Plug-in Power Supply Unit 100-240VAC 12VDC (1.0Amp), Regulated, with DC Plug

Technical Drawing



Maße/Dimensions: mm



Your partner for eneo products:

