



VKC-1373/VAR210

Article-No.: 92545

1/3" Board Camera,
Day&Night, WDR, DSS,
2.8-10.5mm, 560TVL, 12VDC

Mainfeatures

Sony progressive scan interline transfer CCD
Resolution of 560 horizontal lines (colour)
On-screen menu control / Camera title display
Automatic white balance (ATW/AWB)
Digital zoom: 2x-16x
External day/night selection / RS-485 interface

Wide dynamic function (WDR, 60dB)
Sensitivity of 0.01Lux at F1.2 (16x DSS/B&W)
Removable IR cut filter
High and low speed shutter control (ESC/DSS)
4 privacy zones adjustable
Supply voltage: 12VDC

Specifications

System	day&night
Video standard	CCIR/PAL
Sensor size	1/3"
Imager	CCD
Imager	Sony Progressive Scan Interline Transfer
Active picture elements	440,000, 752(H) x 582(V)
Synchronization	internal
Signal-to-noise ratio	50dB (AGC OFF)
Horizontal resolution	560 TVL
Sensitivity (at 50% video signal)	0,3 Lux
Sensitivity (at 50% video signal)	(colour): 0.15Lux (B&W) at F1.2 (measured)
Automatic electronic shutter (ESC)	1/120 ~ 1/10.000sec.
Low speed shutter	yes
Low speed shutter	DSS: OFF / 2 ~ 20 Fps / 40 Fps / 80 Fps / 160 Fps mode
Automatic gain control (AGC)	OFF / Low / Mid/High selectable
Digital Noise Reduction (DNR)	no




Specifications (continued)

Flickerless function	1/120sec., ON/OFF switchable
White balance	automatic/manually/hold
Backlight compensation	BLC
Wide Dynamic Range (WDR)	yes
Aperture Correction (APC)	horizontal and vertical
Brightness	adjustment range: 0 ~ 60
Sharpness correction	adjustment range: 0 ~ 15
IR cut filter	switchable
Video outputs	composite (CVBS)
Lens type	varifocal
Lens	F1.2 ~ F140/2.8 ~ 10.5mm
Focal length	2,8 mm - 10,5 mm
e-PTZ support	no
Digital zoom	16x
Horizontal angle of view	81,2° - 25,8°
Iris control	DC
MOD (Minimum object distance)	0,15 m
Illumination	no
OSD function control	Main menu: Camera-ID no., Camera title/text, Colour/B&W switching, Sharpness, Mirror function, Positive/Negative switching. AWB: White balance red/blue, automatic. AE: Brightness, Flickerless, High speed shutter, Low speed shutter (DSS), AGC. Day&Night modes (Auto, Day, Night, external), IR Filter (Brightness level, delay). WDR: Mode, BLC. Privacy Zones: Area, Masking, X/Y start/end. Display: OSD, Function display ON/OFF. Initial: Camera settings ON/OFF
Text display	10 digit
Activity detection	yes
Privacy zones masking	4 areas selectable
Serial interfaces	RS-485
Serial port	(Pelco D protocol or eneo control S/W, interface protocol: upon request)
External connections	7 pin cable with open ends
Mounting	2 Fixing holes at 48mm distance (diagonal)
Temperature range (operation)	-10°C ~ +50°C
Housing	indoor
Hidden cable management	no
Vandalism resistant	no
Protection rating	n/a
Alarm inputs	no
Alarm outputs	no
Supply voltage	12VDC
Supply voltage	(9 ~ 15VDC), 12VDC ±0,5V recommended
Power consumption	3.0W
Dimensions (HxWxD)	see drawing
Weight	60g

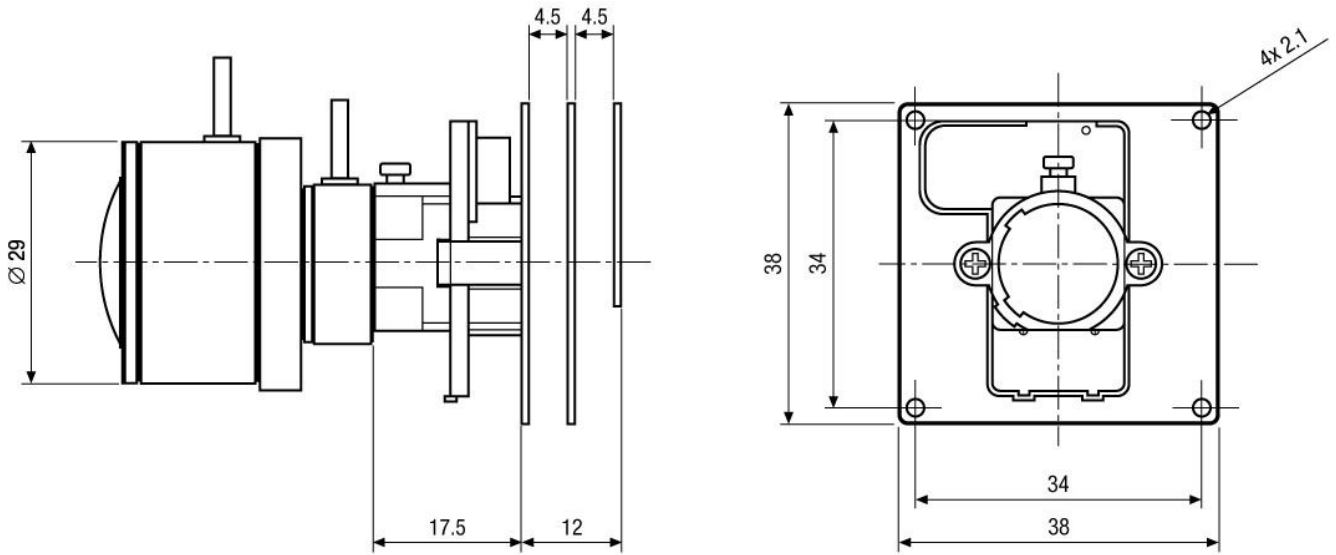
Specifications (continued)

Parts supplied	Camera with lens, CDS Sensor, Test board, Manual
Certificates	CE

Optional Accessories

Image	Artikel-Nr. / Typ	Description
	VT-PS12DCDT1	PSU 12VDC/1.0A, Regulated, Desktop Version, 1.8m Cables each w. open ends
	VT-PS12DC-7	Plugable PSU w. Cont. & UK Mains plug-in 100-240VAC/12VDC-1.25A, Regulated
	VT-PS12DC-8	Plug-in Power Supply Unit 100-240VAC 12VDC (1.0Amp), Regulated, with DC Plug

Technical Drawing



Maße/Dimensions: mm

Your partner for eneo products:

