



VKC-1358A/IR

Article-No.: 92552

1/3" Camera, Day&Night,
F1.2/3.8-9.5mm, 550TVL, IR
Illumination, 12VDC/24VAC

Mainfeatures

1/3" Sony Super HAD II CCD
Automatic gain control (AGC)
Integral varifocal lens F1.2/3.8-9.5mm
Externally adjustable focus & zoom by rings
Illumination range: approx. 45m
Fully hidden cable routing/Protection rating: IP66

Sensitivity of 0.44 Lux at F1.2 (colour)
Automatic white balance (AWB/ATW)
DC iris control / Removable IR cut filter
IR Illumination by 42 integral 850nm LEDs
Supply voltage: 12VDC or 24VAC
For wall and ceiling mount




Specifications

System	day&night
Video standard	CCIR/PAL
Sensor size	1/3"
Imager	CCD
Imager	Sony Super HAD II Interline Transfer
Active picture elements	440,000, 752(H) x 582(V)
Synchronization	Internal/AC line lock
Signal-to-noise ratio	48dB
Gamma correction	0.45
Horizontal resolution	550 TVL
Horizontal resolution	(colour), 580 TVL (B&W)
Sensitivity (at 50% video signal)	0,44 Lux
Sensitivity (at 50% video signal)	(color), 0.11Lux (B&W) at F1.2 (measured)
Automatic electronic shutter (ESC)	no
Low speed shutter	no
Automatic gain control (AGC)	supplied

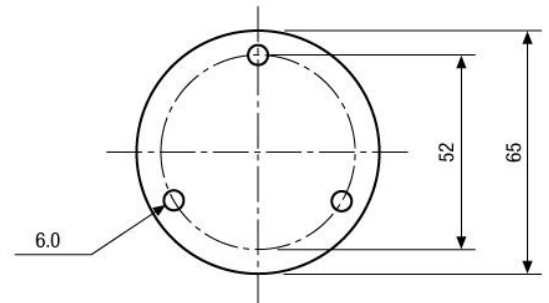
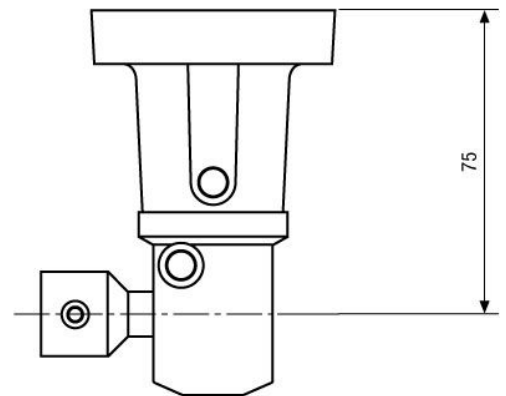
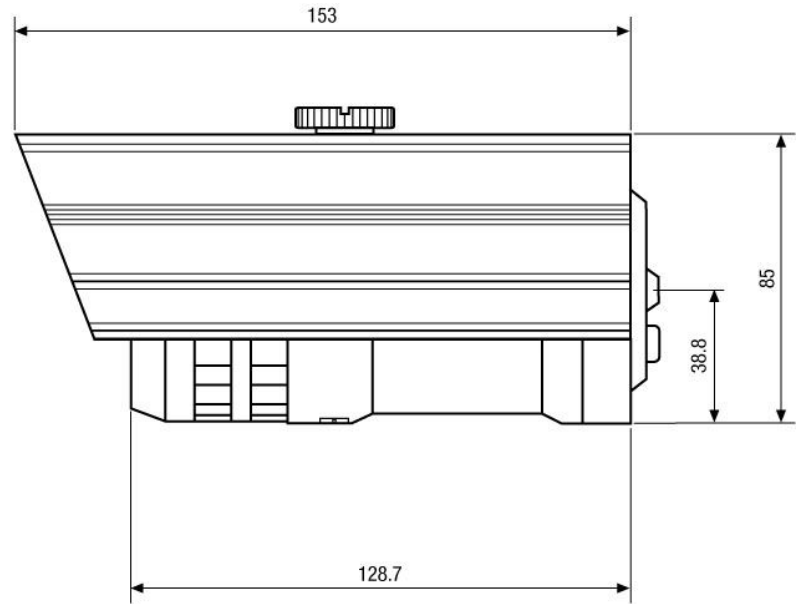
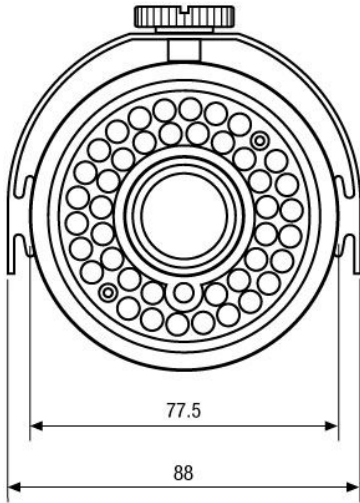
Specifications (continued)

Digital Noise Reduction (DNR)	no
Flickerless function	yes
White balance	AWB/ATW selectable
Backlight compensation	no
Wide Dynamic Range (WDR)	no
Aperture Correction (APC)	horizontal and vertical
IR cut filter	switchable
Video outputs	composite (CVBS)
Lens type	varifocal
Lens	F1.2/F2.0 ~ 360/3.8 ~ 9.5mm with galvanometer controlled iris
Focal length	3,8 mm - 9,5 mm
PTZ support	no
Digital zoom	no
Horizontal angle of view	74,2° - 30°
Iris control	DC
MOD (Minimum object distance)	0,15 m
Illumination	infrared
Illumination	42 LEDs 850nm. Integrated light sensor for On/Off switching of the illumination
Illumination range	approx. 45m (at a good light reflexion and 40% Videosignal)
Activity detection	no
Serial interfaces	no
External connections	Video (BNC), 2 pin power input
Cable connection	Wiring for video and voltage supply made, accessible from outside (1.8m)
Kind of mounting	Integrated wall mount with ball joint
Temperature range (operation)	-10°C ~ +50°C
Housing material	aluminium
Housing	outdoor
Integrated wall mount	yes
Hidden cable management	yes
Sunshield	yes
Window heater	no
Colour (housing)	silver grey
Vandalism resistant	no
Protection rating	IP66
Alarm inputs	-
Alarm outputs	-
Supply voltage	12VDC, 24VAC
Supply voltage	(+/-10%)
Power consumption	approx. 10watts
Dimensions (HxWxD)	see drawing
Weight	1.0kg
Parts supplied	3mm Allen key, Bag of fixing screws
Certificates	CE

Optional Accessories

Image	Artikel-Nr. / Typ	Description
	VT-PS12DC-9	Plug-in Power Supply Unit 100-240VAC 12VDC (1.0Amp), Regulated, w. open Ends
	VT-PS12DCDT1	PSU 12VDC/1.0A, Regulated, Desktop Version, 1.8m Cables each w. open ends
	VT-PS12DC-7	Plugable PSU w. Cont. & UK Mains plug-in 100-240VAC/12VDC-1.25A, Regulated

Technical Drawing



Maße/Dimensions: mm



Your partner for eneo products:

