



VKCD-1329/IR

Article-No.: 92554

1/3" DomeFixed, Day&Night,
DSS, DNR,DIS, IR Illumination,
F1.2/2.8-10.5mm, 600TVL

Mainfeatures

1/3" Sony Super HAD II CCD
Sensitivity of 0.15Lux at F1.2 (Colour)
High and low speed shutter control (MES/DSS)
Digital image stabilisation (DIS)
IR illumination by 36 integral 850nm LEDs
Supply voltage: 12VDC or 24VAC

Removable IR cut filter (ICR)
Multi-lingual on-screen menu control
Digital noise reduction (3D DNR)
Automatic white balance (ATW/AWB)
Manual 3-axis camera gimbal
For wall and ceiling flush and surface mount

Specifications

System	day&night
Video standard	CCIR/PAL
Sensor size	1/3"
Imager	CCD
Imager	Sony Super HAD II Interline Transfer
Horizontal resolution	600 TVL
Horizontal resolution	(colour), 650 TVL (B&W)
Synchronization	internal
Signal-to-noise ratio	52db (AGC OFF)
Sensitivity (at 50% video signal)	0,15 Lux
Sensitivity (at 50% video signal)	(colour), 0.08Lux (B&W) at F1.2 (measured)
Manual electronic shutter (MES)	1/120 ~ 1/10.000sec.
Low speed shutter	yes
Low speed shutter	automatic, 2 ~ 256 Fps.
Digital Noise Reduction (DNR)	yes
Digital Noise Reduction (DNR)	3D





Specifications (continued)

Backlight compensation	BLC
Backlight compensation	adjustable zones, ON/OFF switchable
Wide Dynamic Range (WDR)	no
White balance	ATW / AWB, Indoor / Outdoor
Aperture Correction (APC)	horizontal and vertical
Flickerless function	ON/OFF switchable
IR cut filter	switchable
Menu languages	German, English, French, Italian, Spanish
OSD function control	Brightness, Sharpness, Backlight Compensation, Electronic shutter (DSS), Manual high speed shutter (1/120 to 1/10,000), Automatic white balance, Manual white balance (Red/Blue), AGC, DNR, Motion Detection, Flickerless mode, Privacy window, Mirror, Day/Night
Text display	54 character label
Activity detection	yes
Motion detector	4 zones, ON/OFF switchable
Digital zoom	1x ~ 10x
Analysis functions	no
Lens type	varifocal
Focal length	2,8 mm - 10,5 mm
Horizontal angle of view	81,2° - 25,8°
MOD (Minimum object distance)	0,15 m
Aperture range (F)	F1.2-F360
Video outputs	composite (CVBS)
Video outputs	1Vp-p, (C)VBS, 75ohms, BNC
Alarm inputs	no
Alarm outputs	1
e-PTZ support	no
Rotation range	359°
Tilt range	55° (+35° ~ +90° from horizontal level)
Illumination	infrared
Illumination	36 LEDs 850nm. Integrated light sensor for On/Off switching of the illumination
External connections	Video (BNC), 2 pin power input
Serial interfaces	no
Housing	outdoor
Housing material	aluminium
Colour (bubble)	clear
Colour (housing)	Pantone Warm Gray 1C
Heater	optional
Mounting	ceiling mount, flush mount, wall mount
Supply voltage	12VDC, 24VAC
Supply voltage	(+/-10%)
Power consumption	6W
Temperature range (operation)	-10°C ~ +50°C
Protection rating	IP66
Vandalism resistant	yes
Weight	1.1kg

Specifications (continued)

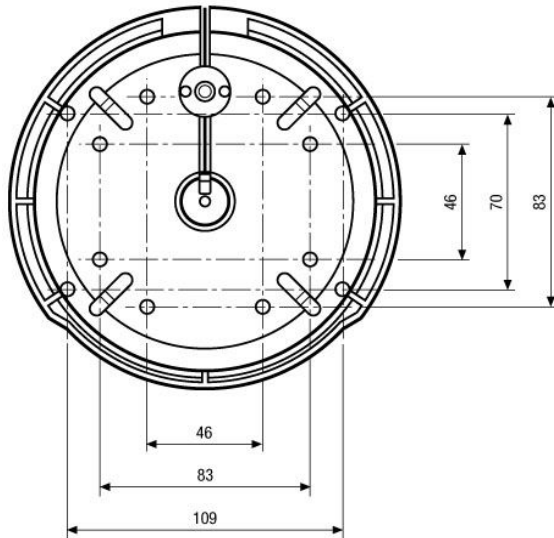
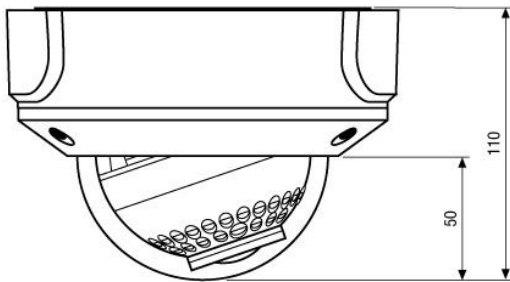
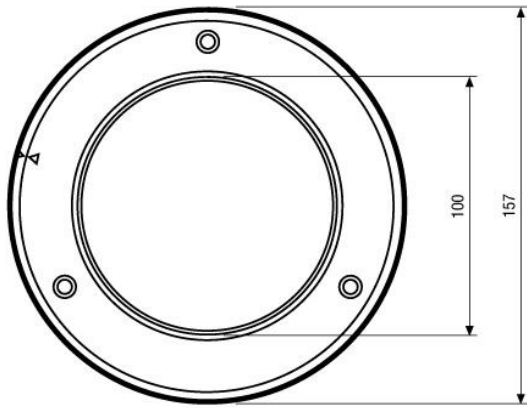
Parts supplied	Screw set, Pipe cap driver, Torx wrench, Mounting template, Service monitor board and control cable, Manual
Certificates	CE

Optional Accessories

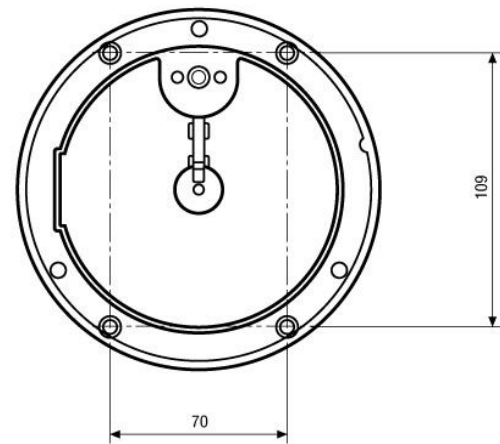
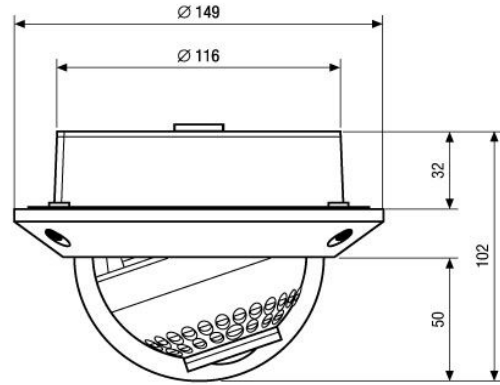
Image	Artikel-Nr. / Typ	Description
	VDOME/WB4	Wall Mount Kit for VKCD-1329/IR and VKCD-1331
	VDOME/WEDGE1	Wedge Mount Kit for VKCD-1329/IR and VKCD-1331
	VDOME/HB-K1	Heater & Blower Kit 24VAC for VKCD-1329/IR and VKCD-1331
	VT-PS12DC-7	Plugable PSU w. Cont. & UK Mains plug-in 100-240VAC/12VDC-1.25A, Regulated

Technical Drawing

Aufbau / Surface Mount



Einbau / Flush Mount



Maße/Dimensions: mm



Your partner for eneo products:

