



VKC-1374/IR

Article-No.: 92555

1/3" Camera, Day&Night,
550TVL, 3.8-9.5mm, IR
Illumination, 12VDC, IP65

Mainfeatures

1/3" Sony Super HAD CCD
Sensitivity of 0.5Lux at F1.2 (colour)
Integrated DC varifocal lens F1.2/3.8-9.5mm
Illumination range: approx. 20m
Protection rating: IP65

Removal IR cut filter (ICR)
Automatic gain control (AGC)
IR illumination by 18 integral 850nm LEDs
Supply voltage: 12VDC
For easy indoor and outdoor installation




Specifications

System	day&night
Video standard	CCIR/PAL
Sensor size	1/3"
Imager	CCD
Imager	Sony Super HAD Interline Transfer
Active picture elements	470,000, 795(H) x 596(V)
Synchronization	Internal/AC line lock
Signal-to-noise ratio	50dB (AGC OFF)
Horizontal resolution	550 TVL
Sensitivity (at 50% video signal)	0,5 Lux
Sensitivity (at 50% video signal)	(colour), 0.3Lux (B&W) at F1.2 (measured)
Automatic electronic shutter (ESC)	no
Low speed shutter	no
Automatic gain control (AGC)	yes
Digital Noise Reduction (DNR)	no
White balance	automatic
Backlight compensation	no

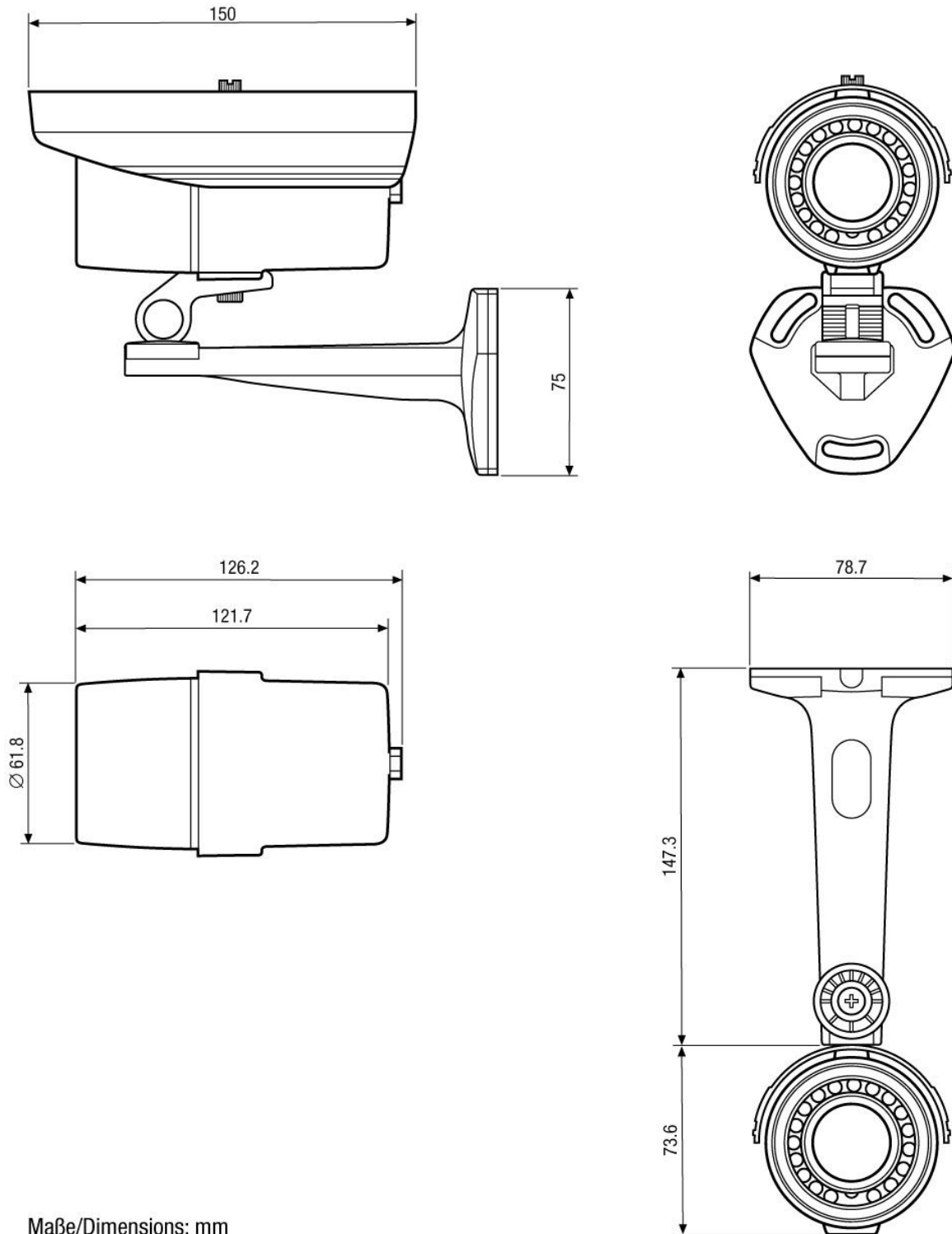
Specifications (continued)

Wide Dynamic Range (WDR)	no
IR cut filter	switchable
Video outputs	composite (CVBS)
Lens type	varifocal
Lens	F1.2/F2.0 ~ 360/3.8 ~ 9.5mm with galvanometer controlled iris
Focal length	3,8 mm - 9,5 mm
e-PTZ support	no
Digital zoom	no
Horizontal angle of view	74,2° - 30°
Iris control	DC
MOD (Minimum object distance)	0,15 m
Illumination	infrared
Illumination	18x LED's 850nm. Due to an integrated light sensor the LED illumination will be switched ON/OFF, depending from environmental illumination conditions.
Illumination range	approx. 20m (at a good light reflexion and 40% Videosignal)
Activity detection	no
Serial interfaces	no
External connections	Video (BNC), 2 pin power input
Temperature range (operation)	-10°C ~ +50°C
Housing material	aluminium
Housing	outdoor
Integrated wall mount	yes
Hidden cable management	yes
Sunshield	yes
Window heater	no
Colour (housing)	anthracite
Vandalism resistant	no
Protection rating	IP65
Alarm inputs	-
Alarm outputs	-
Supply voltage	12VDC
Supply voltage	(+/-10%)
Power consumption	5W
Dimensions (HxWxD)	see drawing
Weight	530g
Parts supplied	camera, manual, wall and ceiling mount bracket, screw set
Certificates	CE

Optional Accessories

Image	Artikel-Nr. / Typ	Description
	VT-PS12DC-8	Plug-in Power Supply Unit 100-240VAC 12VDC (1.0Amp), Regulated, with DC Plug
	VT-PS12DCDT1	PSU 12VDC/1.0A, Regulated, Desktop Version, 1.8m Cables each w. open ends
	VT-PS12DC-7	Plugable PSU w. Cont. & UK Mains plug-in 100-240VAC/12VDC-1.25A, Regulated

Technical Drawing



Maße/Dimensions: mm



Your partner for eneo products:

