



## VKC-1369

Article-No.: 92558

1/3" Board Camera, Colour, WDR  
3.6mm, 540TVL, 12VDC

### Mainfeatures

Superior images even in harsh backlight conditions  
Wide dynamic range: 102dB, 120dB max.  
Digital noise reduction (DNR)  
Adjustable low speed shutter (DSS)  
On-screen menu control  
Compact board size (32x32mm)

Digital Pixel System (DPS)  
Sensitivity of 0.8Lux (F1.2)  
Brightness and sharpness correction  
Automatic and manual white balance (ATW)  
Supply voltage: 12VDC  
Accessories: connection cable


### Specifications

System	colour
Video standard	PAL/NTSC
Sensor size	1/3"
Imager	DPS (Pixim)
Active picture elements	400,000, (H) 720 x (V) 540 (eff.)
Synchronization	internal
Signal-to-noise ratio	50dB (AGC OFF)
Horizontal resolution	540 TVL
Sensitivity (at 50% video signal)	0,75 Lux
Sensitivity (at 50% video signal)	at F1.2 (measured)
Automatic electronic shutter (ESC)	no
Low speed shutter	yes
Low speed shutter	2 - 32 fps.
Automatic gain control (AGC)	yes
Digital Noise Reduction (DNR)	yes
Digital Noise Reduction (DNR)	ON/OFF switchable

## Specifications (continued)

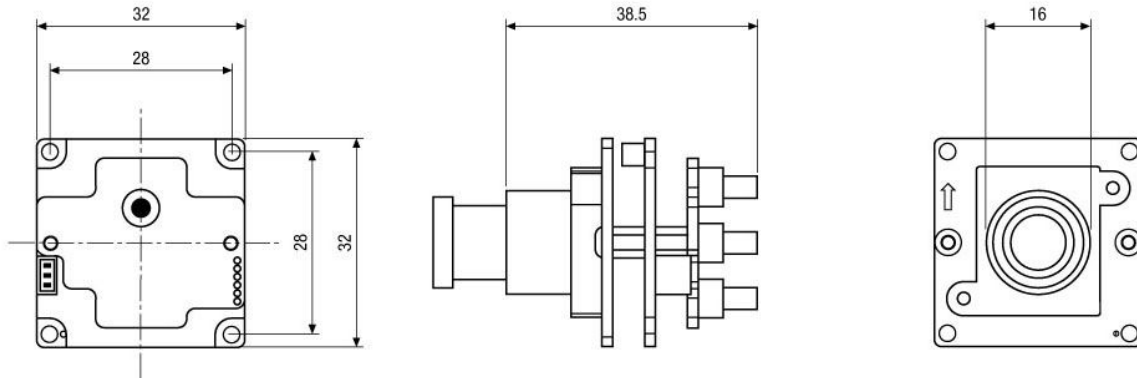
Flickerless function	ON/OFF switchable
White balance	automatic (2000K - 8000K)
Backlight compensation	BLC
Backlight compensation	4 presets: low/middle/high/custom (user adjustment) / BLC: Center area / upper 1/3, middle 1/3, lower 1/3
Wide Dynamic Range (WDR)	WDR
Aperture Correction (APC)	horizontal and vertical
Brightness	selectable
Sharpness correction	selectable (4 levels)
IR cut filter	standard
Video outputs	composite (CVBS)
Lens type	fixed focal length
Lens	F1.4/3.6mm (fixed iris)
Focal length	3,6 mm
e-PTZ support	no
Digital zoom	no
Horizontal angle of view	69°
Iris control	no
MOD (Minimum object distance)	0,1 m
Illumination	no
OSD function control	Preset, Exposure, Picture Control, Mirror function (H+V), Synchronization, Shutter mode
Activity detection	no
Privacy zones masking	6 zones masking
Serial interfaces	no
External adjustments	OSD cursor buttons (setup menu)
External connections	Video (BNC), Power input
Mounting	upright
Temperature range (operation)	-20°C ~ +50°C
Housing material	metal
Housing	indoor
Integrated wall mount	yes
Hidden cable management	no
Colour (housing)	black
Vandalism resistant	no
Protection rating	n/a
Alarm inputs	-
Alarm outputs	-
Supply voltage	12VDC
Supply voltage	(+/-20%)
Power consumption	2W
Dimensions (HxWxD)	see drawing
Weight	130g
Parts supplied	Camera, Manual
Remarks	Camera can be used w./o. housing as well
Certificates	CE

## Optional Accessories

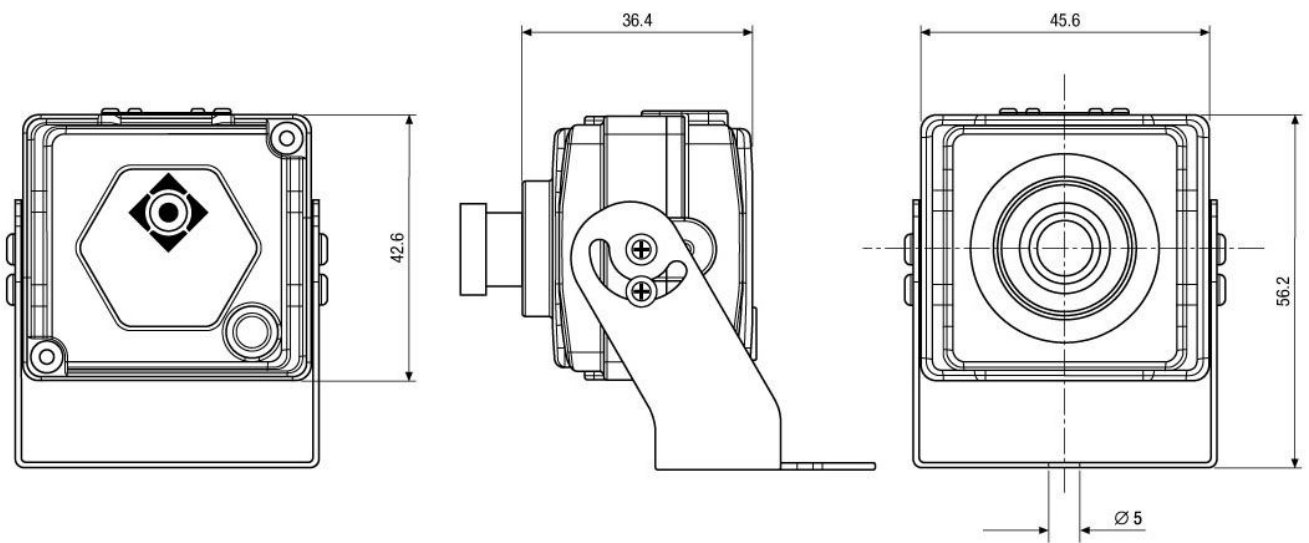
Image	Artikel-Nr. / Typ	Description
	VT-PS12DC-9	Plug-in Power Supply Unit 100-240VAC 12VDC (1.0Amp), Regulated, w. open Ends

## Technical Drawing

Ohne Gehäuse / without housing / sans caisson / sin carcasa



Mit Gehäuse / with housing / avec caisson / con carcasa



Maße/Dimensions: mm



Your partner for eneo products:

