



VKC-1376

Article-No.: 92572

1/3" Camera, Day&Night,
600TVL, RS-485, 230VAC

Mainfeatures

1/3" Super HAD II CCD
Sensitivity of 0.1Lux at F1.2 (colour)
Switchable automatic gain control (AGC)
Adjustable backlight compensation (BLC)
Privacy masking/Mirror function/Motion detection
Supply voltage: 230VAC

Colour/b&w selection
Digital noise reduction (DNR)
High speed shutter control (ESC/MES)
Automatic white balance (AWB)
RS-485 interface
CS mount




Specifications

System	day&night
Video standard	CCIR/PAL
Sensor size	1/3"
Imager	CCD
Imager	Sony Super HAD II Interline Transfer
Active picture elements	440,000 (H) 752 x (V) 582
Horizontal resolution	600 TVL
Synchronization	internal
Signal-to-noise ratio	50dB (AGC OFF)
Sensitivity (at 50% video signal)	0,1 Lux
Sensitivity (at 50% video signal)	(colour), 0.03Lux (B&W) at F1.2 (measured)
Automatic gain control (AGC)	ON/OFF switchable
Automatic electronic shutter (ESC)	1/50 ~ 1/100,000sec.
Manual electronic shutter (MES)	1/50 ~ 1/120,000sec.
Low speed shutter	no
Digital Noise Reduction (DNR)	yes

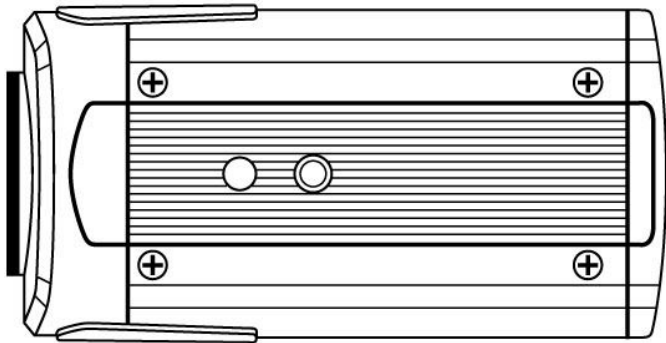
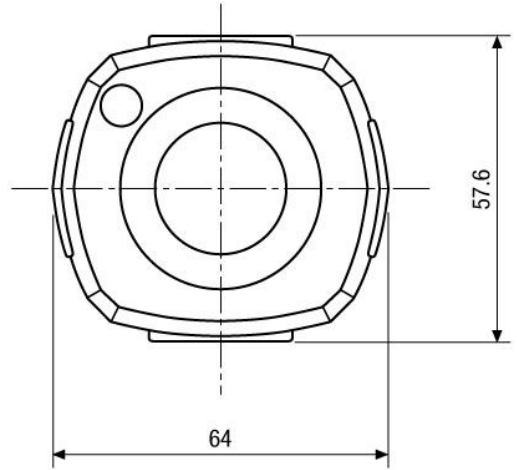
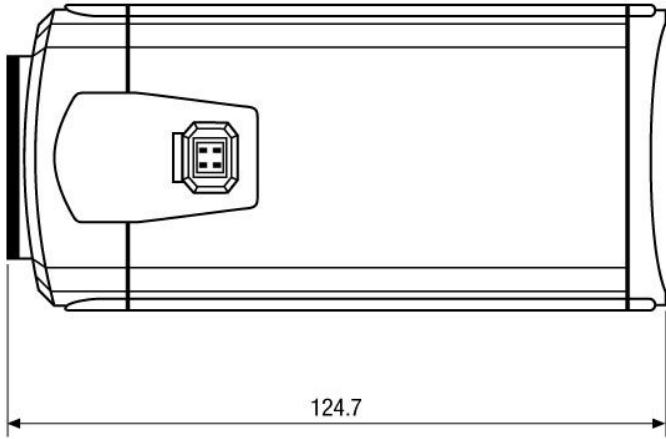
Specifications (continued)

Digital Noise Reduction (DNR)	adjustable: Max / Mid / Min, ON/OFF switchable
Backlight compensation	BLC
Backlight compensation	adjustable: Max / Mid / Min and OFF
Wide Dynamic Range (WDR)	no
Aperture Correction (APC)	horizontal and vertical
Flickerless function	ON/OFF switchable
IR cut filter	standard
Privacy zones masking	4 areas selectable
OSD function control	Colour/B&W, AGC, Mirror, Sharpness, DC level, BLC, White balance, ESC, man. Shutter, DNR, Flickerless, Image adj., Privacy zones masking, Motion detection, Text/Camera ID, Initial
Text display	title, camera ID and status
Activity detection	yes
Motion detector	4 zones, ON/OFF switchable
Mirror function	supplied
Digital zoom	no
e-PTZ support	no
Lens mount	CS mount
Iris control	Manual iris, DC controlled iris
Illumination	no
External adjustments	Menu, Cursor Up/Down/Left/Right, Flange focus
Video outputs	composite (CVBS)
Video outputs	1Vp-p, CVBS or VBS, 75ohms, BNC
External connections	Video (BNC), Voltage input, 5 pin RS-485 control
Serial interfaces	RS-485
Camera mount	1/4" - 20 UNC thread on top and bottom
Alarm inputs	no
Alarm outputs	no
Supply voltage	100-240VAC
Supply voltage	(+/-10%), 50Hz
Power consumption	7.0W
Housing	indoor
Colour	silver grey
Hidden cable management	no
Vandalism resistant	no
Protection rating	n/a
Temperature range (operation)	-10°C ~ +50°C
Dimensions (HxWxD)	see drawing
Weight	430g
Parts supplied	5-pin adapter cable with open ends, 4-pin lens plug, manual
Certificates	CE

Optional Accessories

Image	Artikel-Nr. / Typ	Description
	WD-23	Wall Mount Bracket with Ball Joint, 1/4" Camera Fixing Screw, Pantone 877
	F03Z2.6DC-NFSHR	F1.0/3-8mm DC Lens, Varifocal, No Focus Shift, High Resolution, 1/3" CS Mount
	VTL-WWD	Weatherproof Housing (300mm) RAL9002, Wallbracket, Thermostat, Heater 12-24V

Technical Drawing



Maße/Dimensions: mm

Your partner for eneo products:

