



VKC-1360

Article-No.: 92574

1/3" Camera, Day&Night,
DWDR, DSS, DNR, 560TVL, 230VAC

Mainfeatures

1/3" Sony Super HAD CCD
Digital wide dynamic range (D-WDR)
Highlight suppress backlight compensation (HSBLC)
High and low speed shutter control (MES/ESC/DSS)
On-screen display (OSD)
External day/night selection

Sensitivity of 0.1Lux at F1.2 (colour)
Selectable gain control (AGC)
Powerful digital noise reduction (3D-DNR)
32x digital zoom
Privacy masking/Mirror function/Motion detection
Supply voltage: 230VAC




Specifications

System	day&night
Video standard	CCIR/PAL
Sensor size	1/3"
Imager	CCD
Imager	Sony Super HAD Interline Transfer
Active picture elements	440,000, 752(H) x 582(V)
Horizontal resolution	560 TVL
Synchronization	Internal/AC line lock
Signal-to-noise ratio	50dB (AGC OFF)
Sensitivity (at 50% video signal)	0,1 Lux
Sensitivity (at 50% video signal)	(colour), 0.07Lux (B&W) at F1.2 (measured)
Automatic gain control (AGC)	OFF/LOW/MID/HIGH selectable
Automatic electronic shutter (ESC)	1/50 ~ 1/100,000sec.
Manual electronic shutter (MES)	1/50 ~ 1/100,000sec.
Low speed shutter	yes
Low speed shutter	Automatic, 2 ~ 256 Fps., ON/OFF switchable

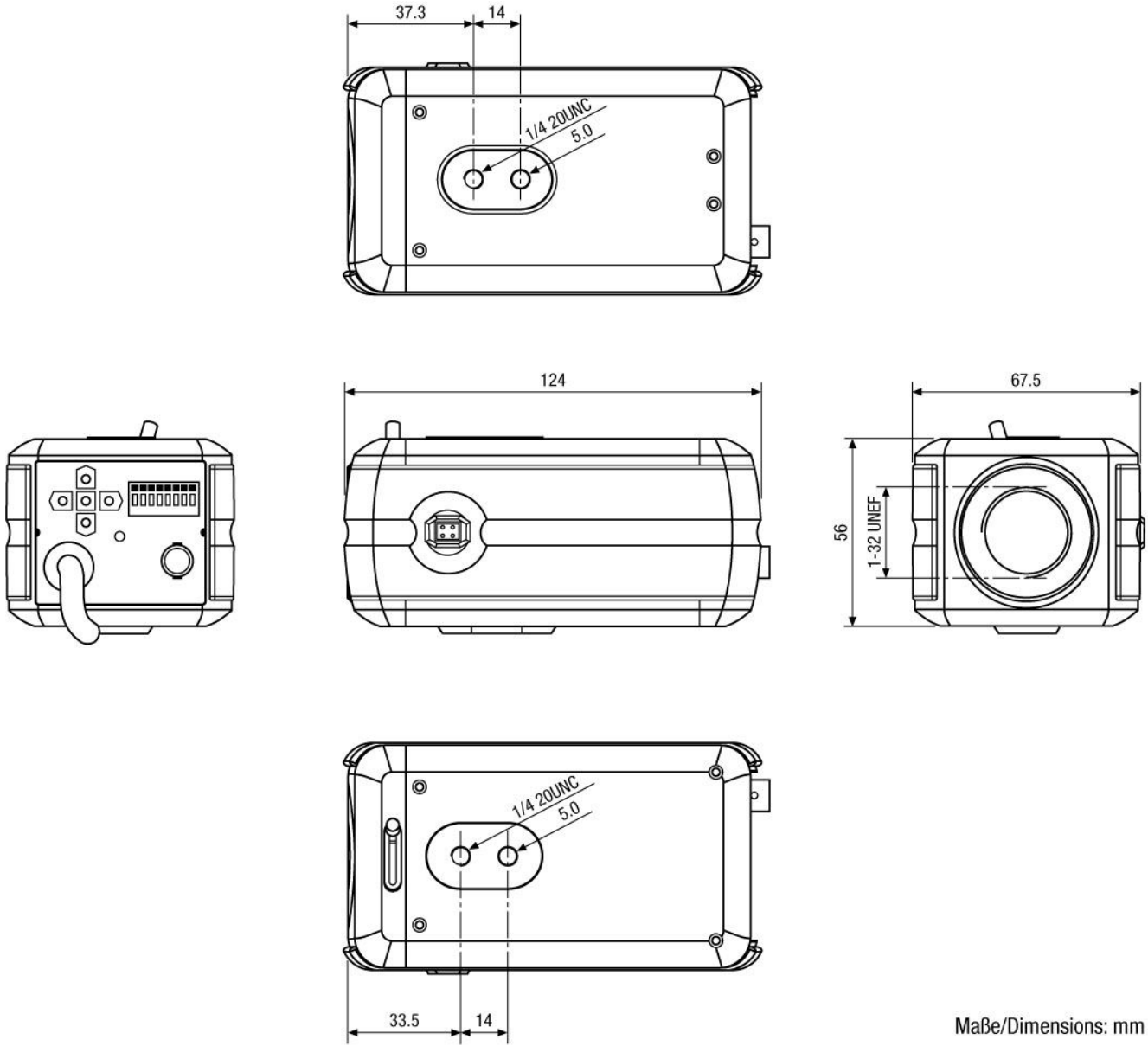
Specifications (continued)

Digital Noise Reduction (DNR)	yes
Digital Noise Reduction (DNR)	3D NR with adjustable gain & size, ON/OFF switchable
Backlight compensation	BLC
Backlight compensation	HSBLC (Highlight Suppress Back Light Compensation), ON/OFF switchable
Wide Dynamic Range (WDR)	D-WDR
White balance	AWB, ATW, AWC, manually, indoor / outdoor
Aperture Correction (APC)	horizontal and vertical
Flickerless function	yes
IR cut filter	switchable
Day/Night switching	By external contact closure
Privacy zones masking	8 zones masking
OSD function control	H/V flip (Mirror picture), Rotation, Positive/Negative, Freeze, Day&Night (Auto/Manual), Shutter control, Sharpness & Brightness correction, Exposure, White balance, Sync., Privacy zones masking, Motion detection, Text
Text display	15 character label, ON/OFF switchable
Activity detection	yes
Motion detector	4 zones, ON/OFF switchable
Mirror function	On/Off switchable
Digital zoom	2x - 32x
Analysis functions	no
e-PTZ support	no
Lens mount	CS mount
Iris control	Manual iris, Auto-Iris/DC controlled
Illumination	no
External adjustments	Flange focus, 4 menu cursor buttons
Video outputs	composite (CVBS)
Video outputs	1Vp-p, (C)VBS, 75ohms, BNC
External connections	Video (BNC), Auto Iris/DC iris (4 pin), Power input, D&N external I/O, Alarm output
Serial interfaces	no
Camera mount	1/4" - 20 UNC thread on top and bottom
Alarm inputs	no
Alarm outputs	no
Supply voltage	230VAC
Power consumption	4.5W
Housing	indoor
Colour	Pantone 877C, Side wings: Pantone Cool Gray 11C
Hidden cable management	no
Vandalism resistant	no
Protection rating	n/a
Temperature range (operation)	-10°C ~ +50°C
Dimensions (HxWxD)	see drawing
Weight	450g
Parts supplied	4-pin plug, C/CS mount ring
Certificates	CE

Optional Accessories

Image	Artikel-Nr. / Typ	Description
	WD-23	Wall Mount Bracket with Ball Joint, 1/4" Camera Fixing Screw, Pantone 877
	F03Z2.6DC-NFSHR	F1.0/3-8mm DC Lens, Varifocal, No Focus Shift, High Resolution, 1/3" CS Mount
	VTL-WWA	Weatherproof Housing (300mm) with Heater Thermostat, Wallbracket, RAL9002, 230VAC

Technical Drawing



Maße/Dimensions: mm



Your partner for eneo products:

