



## GLC-1603

Article-No.: 92582

1/4" Network Camera,  
Day&Night, CMOS, MPEG-4, MJPEG  
, BLC, 640x480, PoE, ONVIF

### Mainfeatures

1/3" progressive scan CMOS sensor  
Removal IR cut filter (ICR)  
Supports privacy zones masking  
On-screen display (OSD)  
Simultaneous MJPEG & MPEG-4 video streaming  
Recording by SD/SDHC card / Alarm notification

Sensitivity of 0.3Lux at F1.2 (colour)  
Integrated activity detection / Alarm in&output  
Equips two-way audio / Built-in microphone  
3GPP Mobile surveillance  
Controllable bandwidth and frame rate  
Client management software included

### Specifications

Series	eneo GL
Resolution standard	SD
System	day&night
Video standard	CCIR/PAL
Sensor size	1/4"
Imager	CMOS
Imager	Progressive scan
Sensitivity (at 50% video signal)	0,3 Lux
Sensitivity (at 50% video signal)	(colour); 0.15Lux (B&W) at F1.2 (measured)
Digital signal processing (DSP)	TI TMS320DM355 (digital media processor)
Automatic gain control (AGC)	ON/OFF switchable
Automatic electronic shutter (ESC)	1/50 - 1/15,000sec.
Digital Noise Reduction (DNR)	no
Low speed shutter	no
White balance	Auto/Hold
Wide Dynamic Range (WDR)	no





## Specifications (continued)

Backlight compensation	BLC
Flickerless function	yes
IR cut filter	switchable
Mirror function	horizontal, vertical
Privacy zones masking	ON/OFF switchable
Activity detection	yes
Motion detector	96 areas, 5 levels
Text display	11 character labels, ON/OFF switchable
Menu languages	English
OSD function control	H/V flip (Mirror picture), Contrast, Sharpness & Brightness correction, Exposure, AGC, ESC, AWB, BLC, Motion detection, Privacy zones masking, Day&Night (automatic / manual), Text, Image size and bit rate
External adjustments	IP protocol stat./dyn., ESC / DC iris lens
External connections	video (BNC), network (RJ-45), audio & alarm inputs/outputs, DC Iris (4 pin), USB, RS-485, power inputs
Video outputs	composite (CVBS)
Video outputs	1Vp-p, 75ohms, BNC
Audio support	yes
Audio	1/1 Line input and output, Built-in Microphone
Alarm inputs	1
Alarm inputs	1
Alarm outputs	1
Alarm handling	via FTP, HTTP or SMTP. External output activation. SD/SDHC card recording, CMS S/W recording
Internal storage	SD card, SDHC card
Digital storage media	SD Toshiba , Scandisk , Transcend, SDHC Transcend 32GB class 4 & 10, recording of JPEG Snapshots / AVI Files
Compression standard	MJPEG, MPEG-4
Resolution max.	640x480
Resolution	640x480 (4:3), 320x240 (4:3)
Image transmission rate max.	25 B./Sek.
Frame rate	25 fps max. at 640x480 px.
Bandwidth	controllable bandwidth and frame rate
Stream types	MPEG-4, MJPEG alternating
Image display	via Web Browser or Viewer Software
Ethernet interface	10Base-T, 100Base-TX
Web browser	MS Internet Explorer vers. 7.0 or higher, Google Chrome (Java), Mozilla Firefox (Java), Safari (Java)
Network protocols	IPv4, ARP, SMTP, ICMP, DNS, DDNS, HTTP, HTTPS, FTP, DHCP, UPnP, RTSP, RTP, RTCP, TCP, UDP, PPPoE
Remote configuration	via web browser, remote software
Lens mount	CS mount
Digital zoom	2x ~ 10x
Pre-alarm recording	up to 3sec.
e-PTZ support	yes
Search function	alarm/event/time searching
Serial interfaces	RS-485
Serial interfaces	Protocols: Pelco P & D

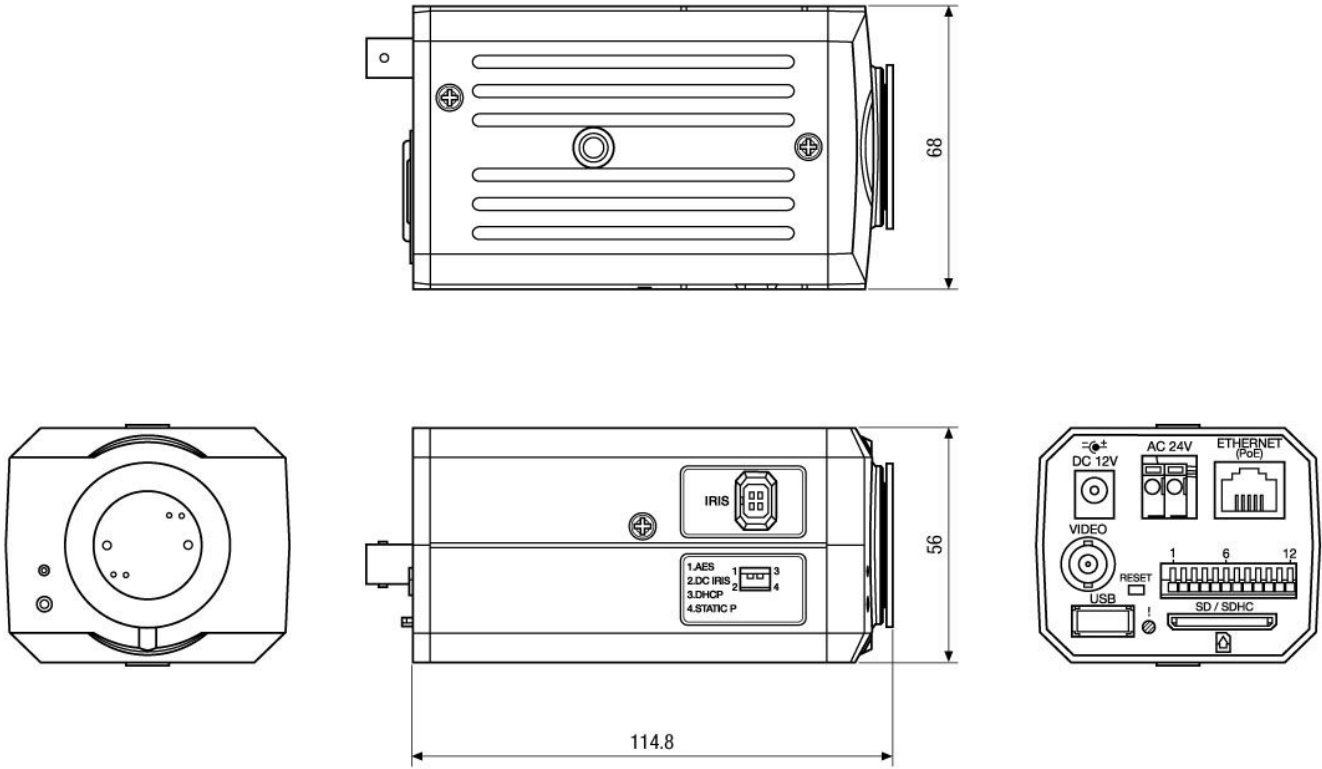
## Specifications (continued)

Access	16 users simultaneous support
Firmware update	SD card / HTTP (Web browser)
Password protection	yes
Management Software Support	CMS software
SDK	available, SDK incl. HTTP-API and ActiveX
ONVIF	core specifications 1.01
Power consumption	2.5W
Temperature range (operation)	0°C ~ +50°C
Colour	Pantone Cool Gray 1C
Supply voltage	12VDC, 24VAC, PoE (IEEE-802.3af)
Power over Ethernet	yes
Protection rating	n/a
Certificates	CE
Parts supplied	PSU 100~240V/12VDC with power cord, USB cable, C/CSS adapter ring, CMS software, manual
Weight	400g
Dimensions (HxWxD)	see drawing
Remarks	free bundle recording software, SDK incl. HTTP-API and ActiveX available
Special features	installation wizard via web browser

## Optional Accessories

Image	Artikel-Nr. / Typ	Description
	WD-23	Wall Mount Bracket with Ball Joint, 1/4" Camera Fixing Screw, Pantone 877
	F03Z2.6DC-NFSHR	F1.0/3-8mm DC Lens, Varifocal, No Focus Shift, High Resolution, 1/3" CS Mount
	VHM/ECLIP-W	Weatherproof Housing (330mm), Heater, Thermostat, Blower, RAL9016/7035, 12VDC
	ZELARIS ELEMENTS	

## Technical Drawing



Maße/Dimensions: mm

Your partner for eneo products:

