



VKC-1381/IR-3.6

Article-No.: 92594

1/3" Camera, Day&Night, 3.6mm,
550TVL, IR Illumination, 12VDC

Mainfeatures

Weatherproof day&night CCD camera
Removable IR cut filter (ICR)
B&W display at night time and IR LED illumination
Automatic shutter control (ESC)
Supply voltage: 12VDC
Protection rating: IP67

1/3" Super HAD II CCD
Sensitivity of 0.33Lux at F1.2 (colour)
30m night observation distance (30 pcs. IR LED§s)
Automatic white balance (AWB)
Aluminium housing with sunshield
Mounting stand with cable concealed thru bracket


Specifications

System	day&night
Video standard	PAL
Sensor size	1/3"
Imager	CCD
Imager	Sony Super HAD II Interline Transfer
Active picture elements	752 (H) x 582 (V) pixels
Synchronization	internal
Signal-to-noise ratio	45db (AGC Off)
Gamma correction	0.45
Horizontal resolution	550 TVL
Sensitivity (at 50% video signal)	0,33 Lux
Sensitivity (at 50% video signal)	(colour and B&W) at F1.2 (measured)
Automatic electronic shutter (ESC)	1/50 ~ 1/100,000sec.
Low speed shutter	no
Automatic gain control (AGC)	yes
Digital Noise Reduction (DNR)	no

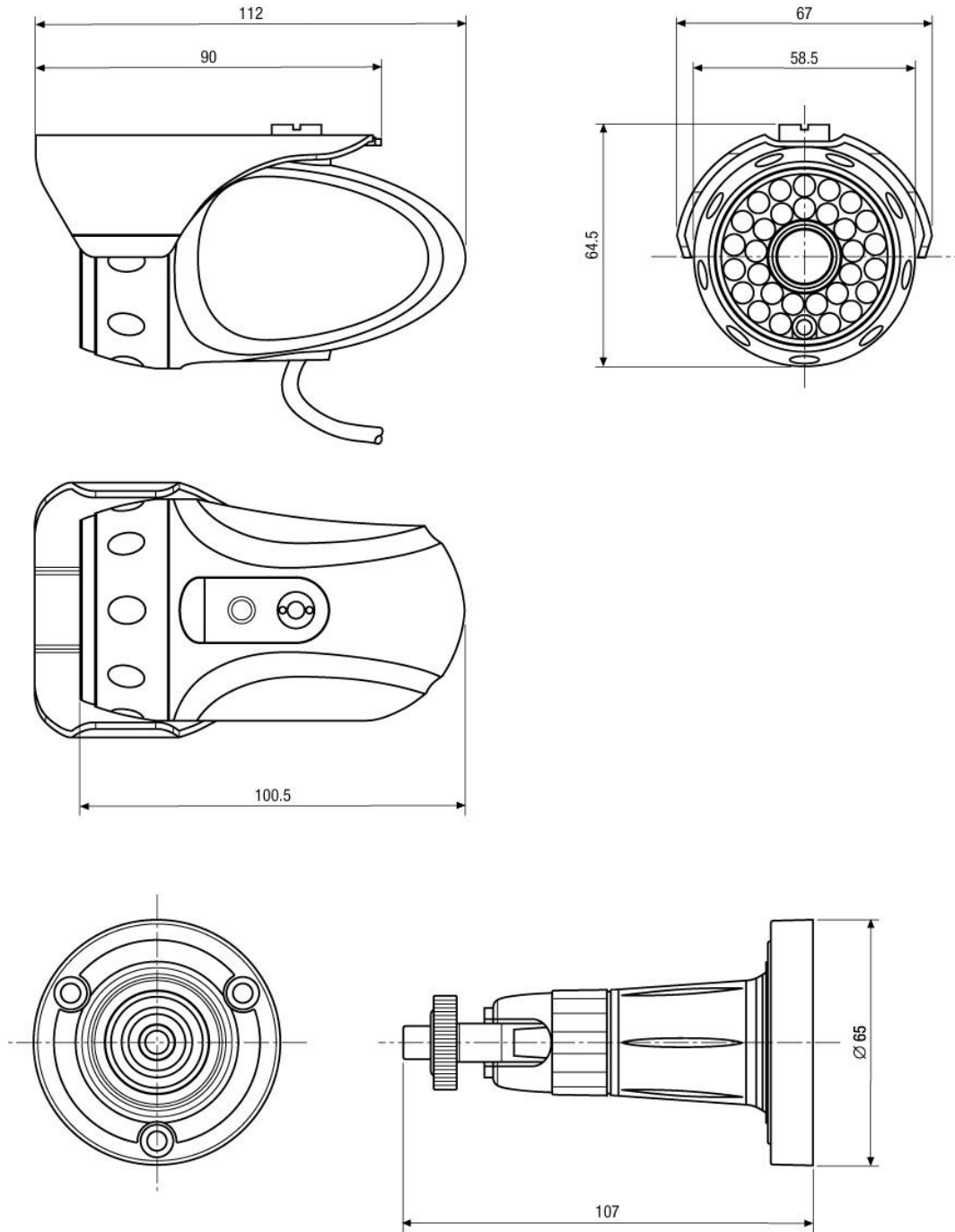
Specifications (continued)

White balance	automatic
Backlight compensation	no
Wide Dynamic Range (WDR)	no
Aperture Correction (APC)	horizontal and vertical
IR cut filter	switchable
Video outputs	composite (CVBS)
Lens type	fixed focal length
Focal length	3,6 mm
e-PTZ support	no
Digital zoom	no
Horizontal angle of view	95,3°
Iris control	no
MOD (Minimum object distance)	0,2 m
Illumination	infrared
Illumination	30x LED's 850nm at 45° illumination angle. Due to an integrated light sensor the LED illumination will be switched ON (+1Lux) / OFF (+3Lux), depending on environmental illumination conditions.
Activity detection	no
Serial interfaces	no
External connections	video (BNC), 12VDC input (DC plug)
Mounting	wall mount
Temperature range (operation)	-10°C ~ +50°C
Housing material	aluminium
Housing	outdoor
Integrated wall mount	yes
Hidden cable management	yes
Window screen	coated plastic for outdoor use, clear window section for the lens
Sunshield	yes
Window heater	no
Window heater	no
Colour (housing)	silver grey
Vandalism resistant	no
Protection rating	IP67
Alarm inputs	no
Alarm outputs	no
Supply voltage	12VDC
Supply voltage	(+/-10%)
Power consumption	3.5W
Dimensions (HxWxD)	see drawing
Weight	380g
Parts supplied	camera, sunshield, wall bracket, allen key, screw set, manual
Certificates	CE

Optional Accessories

Image	Artikel-Nr. / Typ	Description
	VT-PS12DC-8	Plug-in Power Supply Unit 100-240VAC 12VDC (1.0Amp), Regulated, with DC Plug

Technical Drawing



Maße/Dimensions: mm



Your partner for eneo products:

