



NTC-2101

Article-No.: 93152

1/3" Network Day&Night Camera,
720x576, 12VDC

Mainfeatures

1/3" Super HAD Colour/B&W CCD Sensor
Digital Noise Reduction (DNR)
On-screen Menu Control / Camera Title Display
MPEG-4 Compression
Viewer for Monitoring, Recording and Configuration
Integrated Web Server: 10Base-T/100Base-TX

Sensitivity of 0.2Lux at F1.2 (Colour)
High and Low Speed Shutter Control (MES/ESC/DSS)
Privacy Masking/Mirror Function/Motion Detection
Image Frame Rate: Up to 25 Fr./Sec. (720x576 Px.)
Pre & Post Event Recording (in Client PC)
E-mail Notification in Case of an Alarm

Specifications

Series	eneo NT
System	day&night
Video standard	CCIR/PAL
Sensor size	1/3"
Imager	CCD
Imager	Sony Super HAD Interline Transfer
Sensitivity (at 50% video signal)	0,13 Lux
Sensitivity (at 50% video signal)	(colour); 0.07Lux (B&W) at AGC High and F1.2 (measured)
Horizontal resolution	540 TVL
Automatic gain control (AGC)	31dB max.
Automatic electronic shutter (ESC)	1/50 ~ 1/120,000sec.
Digital Noise Reduction (DNR)	yes
Low speed shutter	yes
Low speed shutter	OFF, Automatic: 2 ~ 128 fps.
White balance	automatic (AWB/ATW): 1800K ~ 10500K Manual: R-gain, B-gain, adjustable and lockable






Specifications (continued)

Wide Dynamic Range (WDR)	no
Backlight compensation	BLC
Backlight compensation	OFF/Low/Mid/High selectable
Flickerless function	1/120sec., On/Off switchable
IR cut filter	switchable
Privacy zones masking	ON/OFF switchable
Activity detection	yes
Motion detector	4 zones, ON/OFF switchable
Text display	camera title On/Off switchable
Camera ID	via ID no. (alpha numeric 001-255)
Picture adjustments	Color, Brightness, Contrast (via Network)
OSD function control	Colour/B&W, AGC, DNR, Mirror (hor.), BLC, White balance, AI/DC Iris, Sharpness, ESC/MES, Shutter speed, Flickerless, Privacy zones ON/OFF, Camera ID, Default/Preset
External adjustments	Menu, Cursor Up/Down/Left/Right, Flange focus
External connections	Video (BNC), Auto Iris/DC Iris, Power input (2 pin)
Video outputs	composite (VBS), composite (CVBS)
Video outputs	1Vp-p, CVBS or VBS, 75ohms, BNC
Audio support	no
Alarm inputs	no
Alarm processing	built-in motion detection, adjustable sensitivity and dwell time, e-mail function
Internal storage	yes
Compression standard	MPEG-4
Resolution max.	720x576
Resolution	Network: 720x576 (D1), 640x480, 320x240, 160x120 Px.
Image transmission rate max.	25 B./Sek.
Frame rate	25fps @ 720x576 Px. (PAL)
Image display	via Web Browser or Viewer Software
Ethernet interface	10Base-T, 100Base-TX
Web browser	MS Internet Explorer Vers. 6.0
Network protocols	TCP/IP, DHCP, HTTP, DNS, UDP, RTP, RTSP, SMTP, FTP
Lens mount	CS mount
Digital zoom	no
Iris control	manual, auto iris, DC
Pre-alarm recording	180sec. max.
Post-alarm recording	up to 180sec.
e-PTZ support	no
Search function	alarm/event/time searching
Serial interfaces	no
Access	10 users simultaneous support
Firmware update	via network Interface, incl. viewer setup
Password protection	3 password levels
Password protection	yes
Management Software Support	NT-Manager, Zelaris, Aimetis - Symphony, Netavis
ONVIF	no
Camera mount	1/4" - 20 UNC thread on top and bottom

Specifications (continued)

Power consumption	6.0W
Temperature range (operation)	0°C ~ +40°C
Colour	Pantone 877C, Side wings: Pantone Cool Gray 11C
Supply voltage	12VDC
Power over Ethernet	no
Certificates	CE
Parts supplied	Viewer software with recording capability, configuration and client CD-R, 4-pin lens plug, C mount ring
Weight	approx. 300g
Dimensions (HxWxD)	see drawing

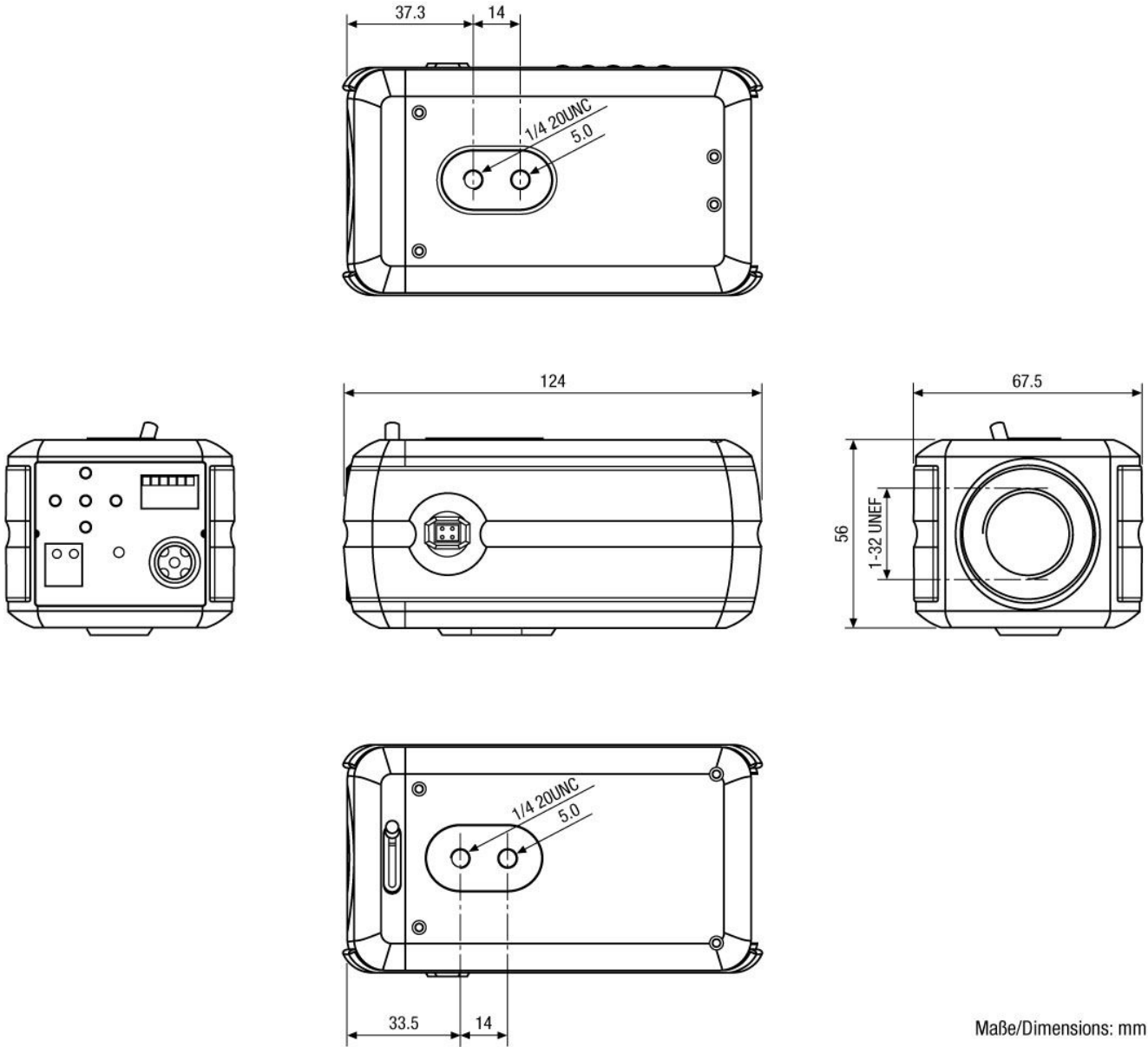
Optional Accessories

Image	Artikel-Nr. / Typ	Description
	WD-22	Wall Mount Bracket with Ball Joint, 1/4" Camera Fixing Screw, Beige Grey
	WD-23	Wall Mount Bracket with Ball Joint, 1/4" Camera Fixing Screw, Pantone 877
	YV5X2.7R4B-SA2L	F1.3/2.7-13.5mm DC Varifocal Lens, No Focus Shift, 1/3" CS Mount
	F03Z2.710DC-NFS	F1.0/3-8mm DC Lens/var. Focal Length with No Focus Shift, 1/3" CS Mount
	G04Z03NDDC-NFS	F1.2/4.5-12.5mm DC Lens/variable Focal Length, No Focus Shift, 1/2" CS Mount

Optional Accessories (continued)

Image	Artikel-Nr. / Typ	Description
	F07Z07NDDC-NFS	F1.3/7.5-50mm DC Lens/var. Focal Length with No Focus Shift, 1/3" CS Mount
	A10Z04NDDC-NFS	F1.4/10-40mm DC Lens/var. Focal Length with No Focus Shift, 1/2" C Mount
	VT-PS12DC-7	Plugable PSU w. Cont. & UK Mains plug-in 100-240VAC/12VDC-1.25A, Regulated
	VT-PS12DC-9	Plug-in Power Supply Unit 100-240VAC 12VDC (1.0Amp), Regulated, w. open Ends
	VT-PS12DCDT1	PSU 12VDC/1.0A, Regulated, Desktop Version, 1.8m Cables each w. open ends
	NT-MANAGER	Remote Administration Interface Software for eneo NW Series NT, NX, NL
	NT-SMARTMANAGER	Utility S/W Tool for eneo Network Series NT, NX, NL

Technical Drawing



Maße/Dimensions: mm



Your partner for eneo products:

