



## VKC-144/W2

Article-No.: 96031

1/4" Colour Camera with 3.6mm Lens  
VHP-2 Housing, 380TVL

### Mainfeatures

Colour Brd. Camera VKC-144 in Weatherproof Housing  
Resolution of 380 Horizontal Lines  
High Sensitivity  
Supply Voltage: 12 VDC  
Index of Protection: IP67

1/4" CCD Sensor Chip  
Electronic Shutter Control (ESC)  
Integrated Lens: F2.0/3.6 mm  
Compact Version  
Protected Pan and Tilt Fixing Mechanism



### Specifications

System	colour
Video standard	PAL
Sensor size	1/4"
Imager	CCD
Imager	Sony Super HAD Interline Transfer
Active picture elements	290,000, 500(H) x 582(V)
Synchronization	internal
Gamma correction	approx. 0.45
Horizontal resolution	380 TVL
Sensitivity (at 50% video signal)	1,25 Lux
Sensitivity (at 50% video signal)	at F1.2 (Videor measurement result), 3.5Lux at F2,0
Automatic electronic shutter (ESC)	1/50 - 1/100,000sec.
Low speed shutter	no
Digital Noise Reduction (DNR)	no
Backlight compensation	no
Wide Dynamic Range (WDR)	no
Aperture Correction (APC)	yes (horizontal)


## Specifications (continued)

IR cut filter	standard
Video outputs	composite (CVBS)
Lens type	fixed focal length
Lens	F2.0/3.6mm w/o. iris
Focal length	3,6 mm
Horizontal angle of view	52°
Iris control	no
MOD (Minimum object distance)	0,1 m
Illumination	no
Serial interfaces	no
Cable connection	Wiring for video and voltage supply made, accessible from outside
Temperature range (operation)	-30°C ~ +40°C
Housing material	aluminium
Housing	outdoor
Integrated wall mount	yes
Hidden cable management	yes
Sunshield	no
Window heater	no
Colour (housing)	anodized silver-coloured (C-0)
Protection rating	IP67
Supply voltage	12VDC
Supply voltage	(+/-10%)
Power consumption	approx. 1.5watts
Dimensions (HxWxD)	see drawing
Weight	480g
Parts supplied	bag of screws
Certificates	CE

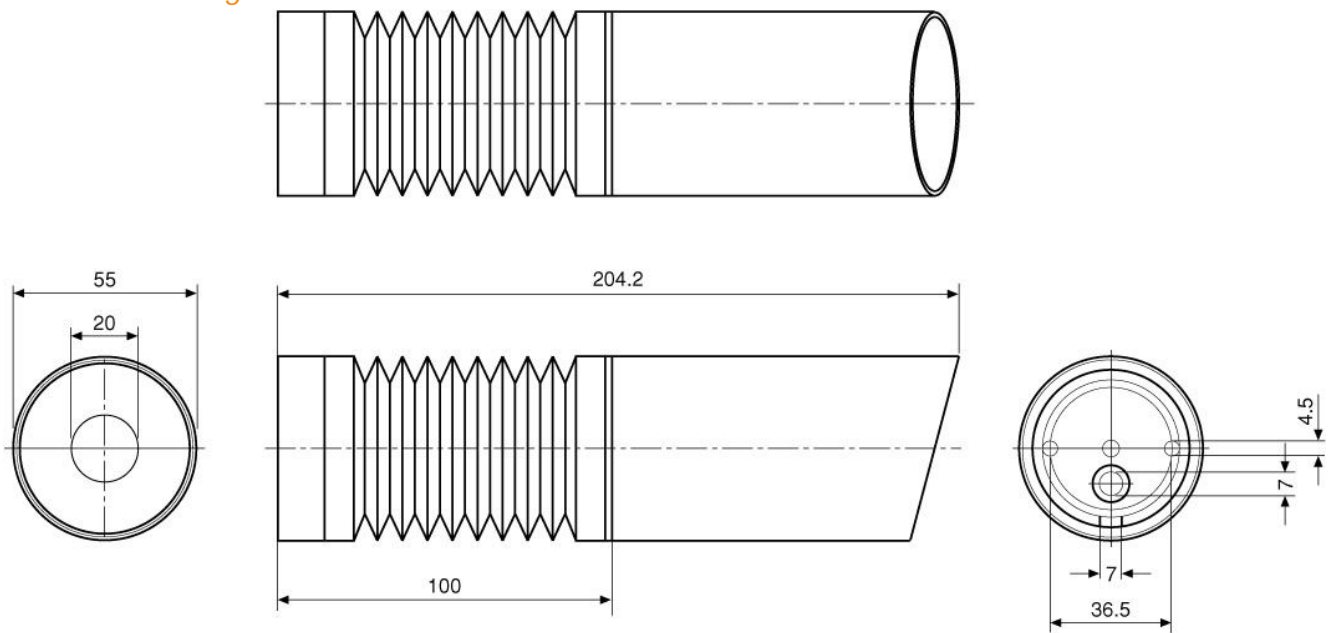
## Optional Accessories

Image	Artikel-Nr. / Typ	Description
	VT-PS12DCDT1	PSU 12VDC/1.0A, Regulated, Desktop Version, 1.8m Cables each w. open ends
	VT-PS12DC-7	Plugable PSU w. Cont. & UK Mains plug-in 100 -240VAC/12VDC-1.25A, Regulated

### Optional Accessories (continued)

Image	Artikel-Nr. / Typ	Description
	VT-PS12DC-9	Plug-in Power Supply Unit 100-240VAC 12VDC (1.0Amp), Regulated, w. open Ends

### Technical Drawing



Maße/Dimensions: mm

Your partner for eneo products:

