



VK-1318/W2

Article-No.: 96043

1/3" HiRes B&W Camera with 4-8mm Lens
VHP-2 Housing, 600TVL

Mainfeatures

B&W Board Camera VK-1318 in Weatherproof Housing
Resolution of 600 Horizontal Lines
High Sensitivity
Supply Voltage: 12 VDC
Index of Protection: IP67

1/3" CCD Sensor Chip
Electronic Shutter Control (ESC)
Integrated Lens: F2.0/4-8 mm
Compact Version
Protected Pan and Tilt Fixing Mechanism



Specifications

System	black&white
Video standard	CCIR
Sensor size	1/3"
Imager	CCD
Imager	Sony Super HAD Interline Transfer
Active picture elements	440,000, 752(H) x 582(V)
Synchronization	internal
Gamma correction	0.45
Horizontal resolution	600 TVL
Sensitivity (at 50% video signal)	0,76 Lux
Sensitivity (at 50% video signal)	0.75Lux at F1.2 (Videor measurement result), 2.1Lux at F2.0
Automatic electronic shutter (ESC)	1/50 - 1/100,000sec.
Low speed shutter	no
Digital Noise Reduction (DNR)	no
Backlight compensation	no
Wide Dynamic Range (WDR)	no
Aperture Correction (APC)	yes (horizontal)


Specifications (continued)

IR cut filter	no
Video outputs	composite (VBS)
Lens type	varifocal
Lens	F 2.0-2.8/4-8 mm (fixed iris)
Focal length	4 mm - 8 mm
Horizontal angle of view	63° - 34°
Iris control	no
MOD (Minimum object distance)	0,1 m
Illumination	no
Serial interfaces	no
Cable connection	Wiring for video and voltage supply made, accessible from outside
Temperature range (operation)	-30°C ~ +40°C
Housing material	aluminium
Housing	outdoor
Integrated wall mount	yes
Hidden cable management	yes
Window screen	standard glass
Sunshield	no
Window heater	no
Colour (housing)	anodized silver-coloured (C-0)
Protection rating	IP67
Supply voltage	12VDC
Supply voltage	(+/-10%)
Power consumption	approx. 1.5watts
Dimensions (HxWxD)	see drawing
Weight	480g
Certificates	CE

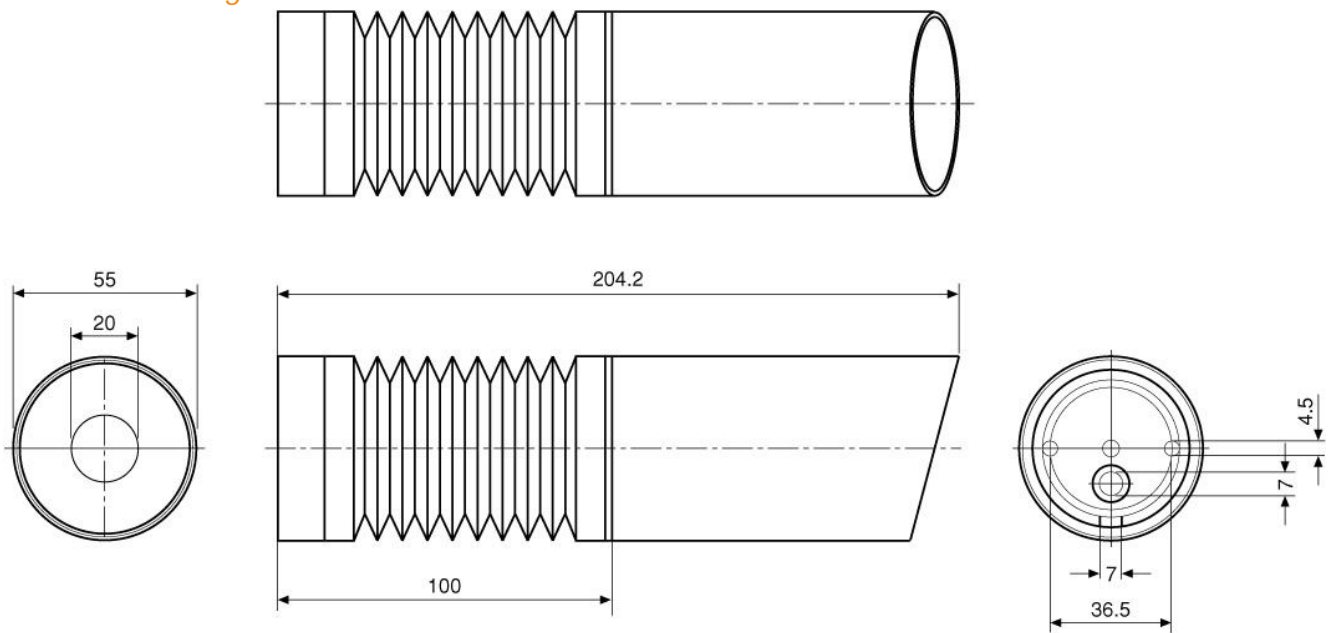
Optional Accessories

Image	Artikel-Nr. / Typ	Description
	VT-PS12DCDT1	PSU 12VDC/1.0A, Regulated, Desktop Version, 1.8m Cables each w. open ends
	VT-PS12DC-7	Plugable PSU w. Cont. & UK Mains plug-in 100-240VAC/12VDC-1.25A, Regulated

Optional Accessories (continued)

Image	Artikel-Nr. / Typ	Description
	VT-PS12DC-9	Plug-in Power Supply Unit 100-240VAC 12VDC (1.0Amp), Regulated, w. open Ends

Technical Drawing



Maße/Dimensions: mm

Your partner for eneo products:

