



VKC-1413/W2

Article-No.: 96044

1/4" Colour Camera with 2.6-5.6mm Lens
VHP-2 Housing, 380TVL

Mainfeatures

Color Brd. Camera VKC-1413 in Weatherproof Housing
Resolution of 380 Horizontal Lines
High Sensitivity
Supply Voltage: 12 VDC
Index of Protection: IP67

1/4" CCD Sensor Chip
Electronic Shutter Control (ESC)
Integrated Lens: F2.0/2.6-5.6mm
Compact Version
Protected Pan and Tilt Fixing Mechanism



Specifications

| | |
|------------------------------------|---|
| System | Colour |
| Video standard | PAL |
| Sensor size | 1/4" |
| Imager | CCD |
| Imager | Sony Super HAD Interline Transfer |
| Active picture elements | 290,000 (H) 500 x (V) 582 |
| Synchronization | Internal |
| Gamma correction | approx. 0.45 |
| Horizontal resolution | 380 TVL |
| Sensitivity (at 50% video signal) | 0,5 Lux |
| Sensitivity (at 50% video signal) | at F1.2 (Videor measurement result), 1.4Lux at F2.0 |
| Automatic electronic shutter (ESC) | 1/50 - 1/100,000sec. |
| Low Speed Shutter | no |
| Digital Noise Reduction (DNR) | no |
| Backlight compensation | no |
| Wide Dynamic Range (WDR) | no |
| Aperture Correction (APC) | Yes (horizontal) |

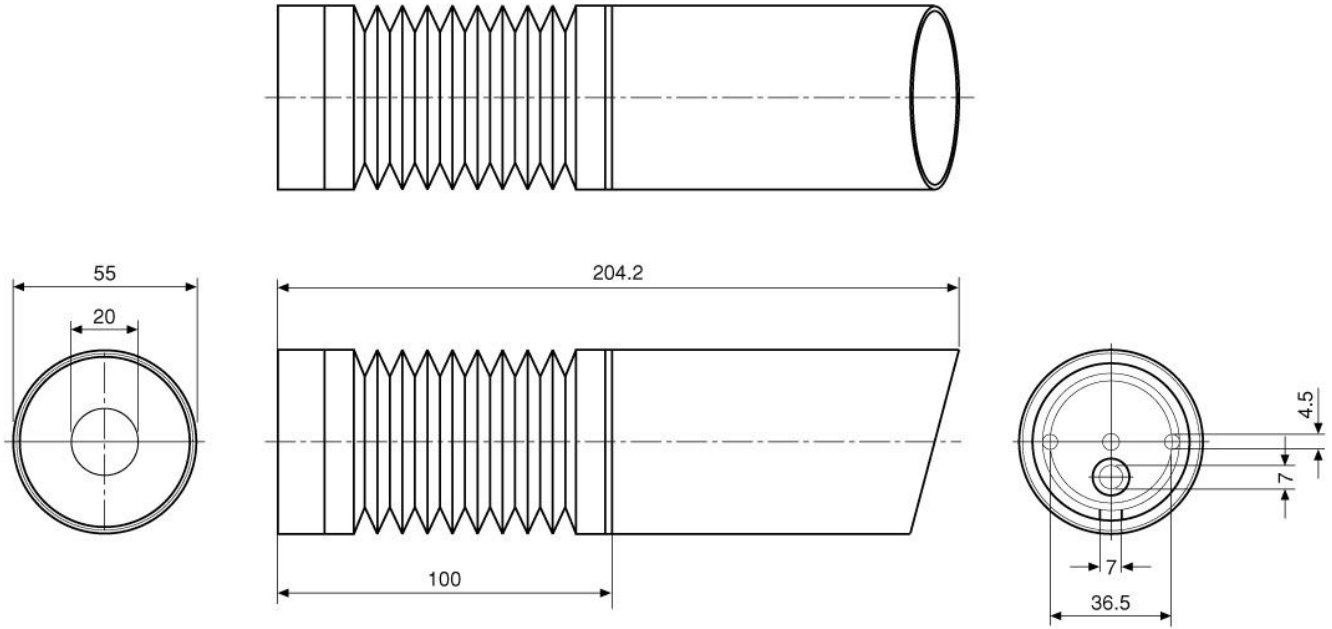
Specifications (continued)

| | |
|-------------------------------|---|
| IR cut filter | standard |
| Video outputs | composite (CVBS) |
| Lens type | varifocal |
| Lens | F2.0-2.7 / 2.6-5.6mm (fixed iris) |
| Focal length | 2,6 mm - 5,6 mm |
| Horizontal angle of view | 69° - 35° |
| Iris control | no |
| MOD (Minimum object distance) | 0,1 m |
| Filter screw size | not available |
| Illumination | no |
| Serial interfaces | no |
| Cable connection | Wiring for video and voltage supply made, accessible from outside |
| Temperature range (Operation) | -30°C ~ +40°C |
| Housing material | aluminium |
| Housing | outdoor |
| Integrated wall mount | yes |
| Hidden cable management | yes |
| Window screen | Standard glass |
| Sunshield | no |
| Window heater | no |
| Clear Shield | no |
| Colour (housing) | anodized silver-coloured (C-0) |
| Protection rating | IP67 |
| Supply voltage | 12VDC |
| Supply voltage | (+/-10%) |
| Power consumption | approx. 1.5watts |
| Dimensions (HxWxD) | See drawing |
| Weight | 480g |
| Parts supplied | bag of screws |
| Certificates | CE |

Optional Accessories

| Image | Artikel-Nr. / Typ | Description |
|---|-------------------|--|
|  | VT-PS12DC-7 | Plugable PSU w. Cont. & UK Mains plug-in 100-240VAC/12VDC-1.25A, Regulated |
|  | VT-PS12DC-9 | Plug-in Power Supply Unit 100-240VAC 12VDC (1.0Amp), Regulated, w. open Ends |

Technical Drawing



Maße/Dimensions: mm

Your partner for eneo products:

