



VK-1317S/W1

Article-No.: 96048

1/3" HiRes B&W Camera with
3.8mm lens VHP-1 Housing,
Wallbracket WD-21, 600TVL

Mainfeatures

B&W Board Camera VK-1317 in Weatherproof Housing
Resolution of 600 Horizontal Lines
High Sensitivity
Supply Voltage: 12 VDC
Index of Protection: IP67

1/3" CCD Sensor Chip
Electronic Shutter Control (ESC)
Integrated Lens: F2.0/3.8 mm
Compact Version
Protected Pan and Tilt Fixing Mechanism



Specifications

System	colour
Video standard	CCIR
Sensor size	1/3"
Imager	CCD
Imager	Sony Super HAD Interline Transfer
Active picture elements	440,000, 752(H) x 582(V)
Synchronization	internal
Gamma correction	0.45
Horizontal resolution	600 TVL
Sensitivity (at 50% video signal)	0,76 Lux
Sensitivity (at 50% video signal)	0.7Lux at F1.2, 2.0Lux at F2.0 (Videor measurement result)
Low speed shutter	no
Digital Noise Reduction (DNR)	no
Backlight compensation	no
Wide Dynamic Range (WDR)	no
Aperture Correction (APC)	yes (horizontal)
IR cut filter	standard




Specifications (continued)

Video outputs	composite (VBS)
Lens type	fixed focal length
Lens	F2,0 / 3.8mm with fixed focus
Focal length	3,8 mm
Horizontal angle of view	65°
Iris control	no
Illumination	no
Serial interfaces	no
Cable connection	Wiring for video and voltage supply made, accessible from outside
Temperature range (operation)	-30°C ~ +40°C
Housing material	aluminium
Housing	outdoor
Integrated wall mount	no
Hidden cable management	no
Window screen	standard glass
Sunshield	no
Window heater	no
Colour (housing)	anodized silver-coloured (C-0)
Protection rating	IP67
Supply voltage	12VDC
Supply voltage	12VDC +/-10 %
Power consumption	approx. 1.4W
Dimensions (HxWxD)	see drawing
Weight	280g
Parts supplied	Wall bracket WD-21/MK, 3mm Allen key, Bag of screws
Certificates	CE

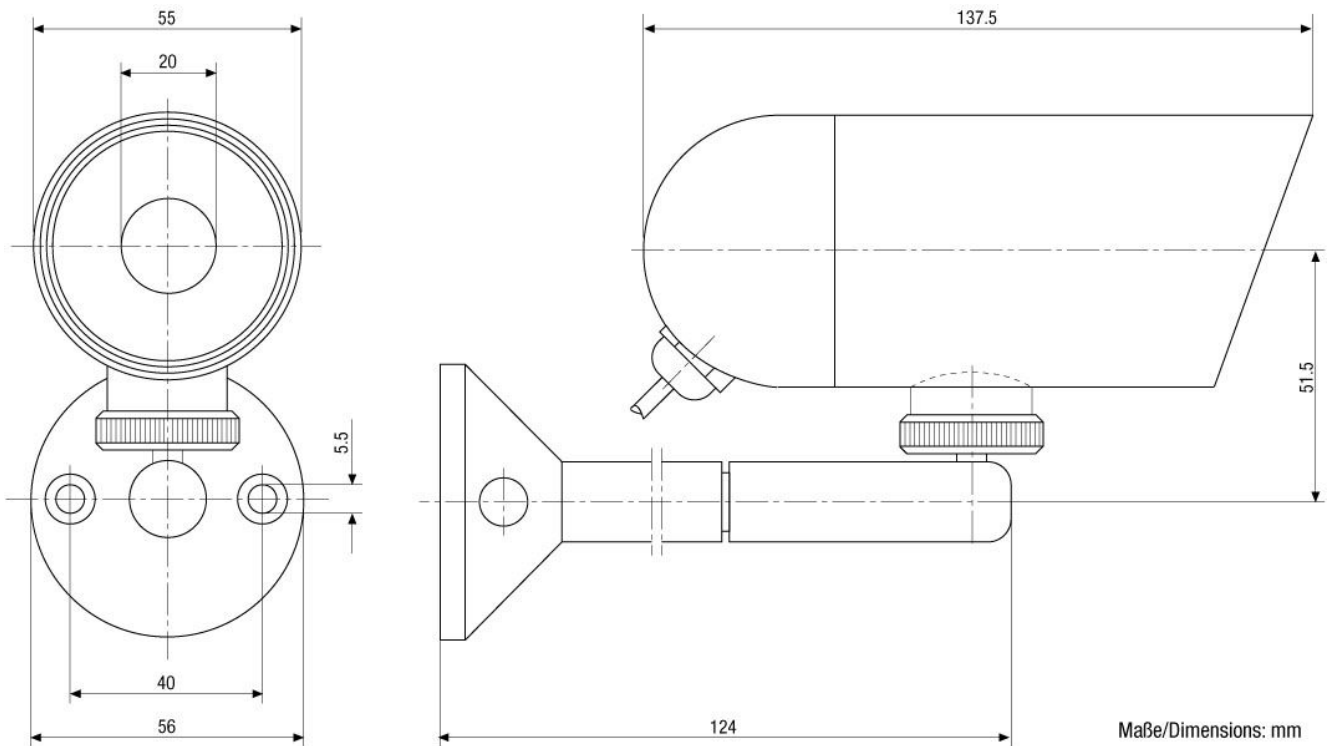
Optional Accessories

Image	Artikel-Nr. / Typ	Description
	H0820M	F2.0/8mm Board Camera Lens, 1/3" M12X0.5
		F2.5/12mm Board camera lens, 1/3" M12x0.5

Optional Accessories (continued)

Image	Artikel-Nr. / Typ	Description
	VT-PS12DCDT1	PSU 12VDC/1.0A, Regulated, Desktop Version, 1.8m Cables each w. open ends
	VT-PS12DC-7	Plugable PSU w. Cont. & UK Mains plug-in 100-240VAC/12VDC-1.25A, Regulated
	VT-PS12DC-9	Plug-in Power Supply Unit 100-240VAC 12VDC (1.0Amp), Regulated, w. open Ends

Technical Drawing





Your partner for eneo products:

