



VKC-1327/W3

Article-No.: 96059

1/3" Day/Night Camera w.
F1.2/3.8-9.5mm Lens,
12VDC/24VAC, 480TVL

Mainfeatures

Weatherproof Camera with Swivel Head Bracket
Built-in Lens F1.2/3.8-9.5mm with DC Iris Control
Resolution of 480 Horizontal Lines
Automatic Shutter Control (AES)
Supply Voltage: 12VDC
Protection Rating: IP67

1/3" Day/Night CCD Camera with Varifocal Lens
Sensitivity: 0.15Lux at F1.2 (AGC-Turbo, B&W)
Removable IR Cut Filter
Back Light Compensation (BLC)
Fully Hidden Cable Routing
Certified according to BGV Kassen






Specifications

System	day&night
Video standard	PAL
Sensor size	1/3"
Imager	CCD
Imager	Sony Super HAD Interline Transfer
Active picture elements	440,000, 752(H) x 582(V)
Synchronization	Internal/Line-lock (automatic detection depend on power source)
Signal-to-noise ratio	48dB
Gamma correction	approx. 0.45
Horizontal resolution	480 TVL
Sensitivity (at 50% video signal)	0,5 Lux
Sensitivity (at 50% video signal)	(colour), 0.24Lux (B&W) at F1.2 (measured)
Automatic electronic shutter (ESC)	1/50 ~ 1/100,000sec.
Low speed shutter	yes
Automatic gain control (AGC)	28dB max. Normal (Turbo +6dB), AGC OFF

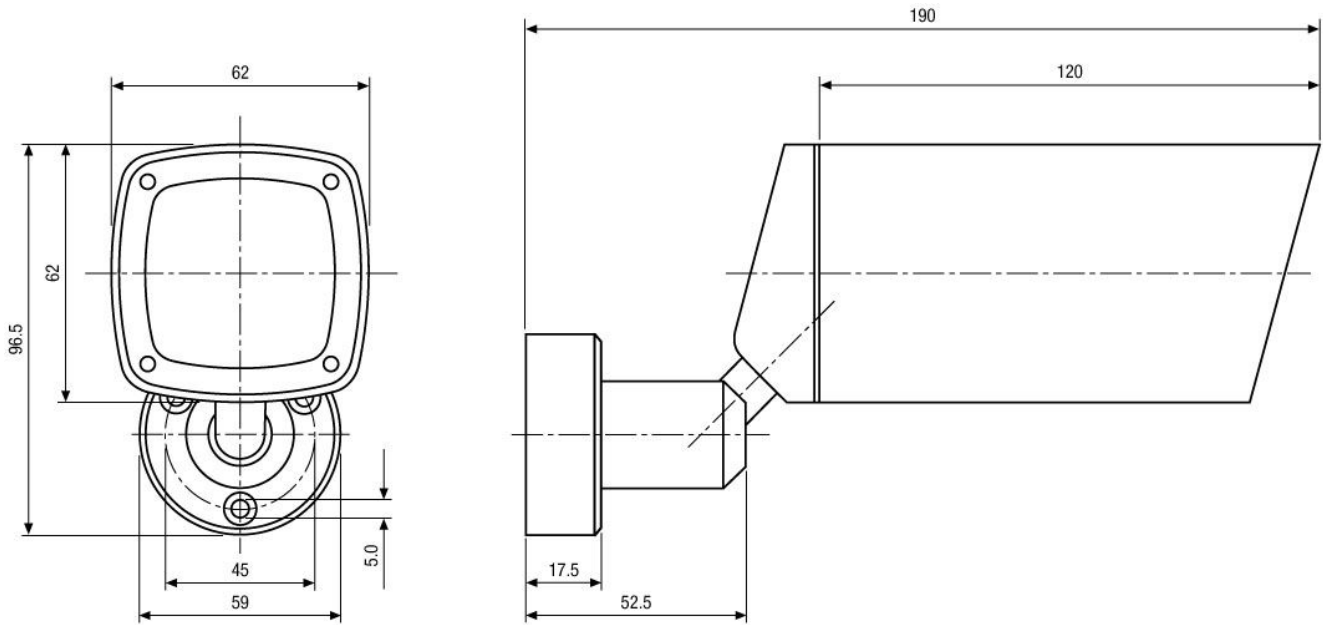
Specifications (continued)

Digital Noise Reduction (DNR)	no
White balance	2000 ~ 8000K, automatic tracking
Backlight compensation	BLC
Backlight compensation	center weighted (ON/OFF switchable)
Wide Dynamic Range (WDR)	no
IR cut filter	switchable
Internal adjustments	8 Dip switches: Internal/Line-lock synchronization, ELC/ALC (Shutter/Auto-Iris), BLC ON/OFF, AGC Normal/Turbo, Flickerless ON/OFF, Sharpness Normal/Sharp, Day/Night mode Enabled/Disabled, IR mode ON/OFF (Iteration reduction between day and night position). 2 Potentiometers: Level for DC controlled iris, V. phase adjustment (220° min. adjustable)
Video outputs	composite (VBS), composite (CVBS)
Lens type	varifocal
Lens	F1.2/F2.0 ~ 360/3.8 ~ 9.5mm with galvanometer controlled iris
Focal length	3,8 mm - 9,5 mm
Horizontal angle of view	74,2° - 30°
Iris control	DC
MOD (Minimum object distance)	0,15 m
Illumination	no
Serial interfaces	no
Cable connection	Wiring for video and voltage supply made, accessible from outside (1.5m long, Video: BNC jack 12/24V input: 2-pin screw terminal)
Kind of mounting	Integrated wall mount with ball joint
Mounting	wall or ceiling*)
Temperature range (operation)	-20°C ~ +50°C
Housing material	aluminium
Housing	outdoor
Integrated wall mount	yes
Hidden cable management	yes
Window screen	acrylic glass (clear)
Sunshield	yes
Window heater	yes
Colour (housing)	Pantone 7541
Protection rating	IP67
Supply voltage	12VDC, 24VAC
Supply voltage	(10.5 ~ 30VDC, 12 ~ 29VAC)
Power consumption	approx. 5,0W
Dimensions (HxWxD)	see drawing
Weight	approx. 680g
Parts supplied	Camera, Manual, "Easy installation" adapter cable, Heat shrink tube
Certificates	CE

Optional Accessories

Image	Artikel-Nr. / Typ	Description
		Plugable AC/DC Adapter 100-240V/12VDC-2.5A, Regulated
	VT-PS12DCDT1	PSU 12VDC/1.0A, Regulated, Desktop Version, 1.8m Cables each w. open ends
	W3 INST-KIT1	Installation Kit for W3 Housings with Hidden Junction Boxes
	VT-PS12DC-7	Plugable PSU w. Cont. & UK Mains plug-in 100-240VAC/12VDC-1.25A, Regulated
	VT-PS12DC-9	Plug-in Power Supply Unit 100-240VAC 12VDC (1.0Amp), Regulated, w. open Ends

Technical Drawing



Maße/Dimensions: mm

Your partner for eneo products:

