



VKC-1327AW3

Article-No.: 96085

1/3" Camera, Day&Night,
F1.2/3.8-9.5mm, 540TVL,
12VDC/24VAC

Mainfeatures

Weatherproof Camera with Swivel Head Bracket
Built-in Lens F1.2/3.8-9.5mm with DC Iris Control
Resolution of 540 Horizontal Lines
Automatic Shutter Control (AES)
Supply Voltage: 12VDC
Protection Rating: IP67

1/3" Day/Night CCD Camera with Varifocal Lens
Sensitivity: 0.15Lux at F1.2 (AGC-Turbo, B&W)
Removable IR Cut Filter
Back Light Compensation (BLC)
Fully Hidden Cable Routing
Certified according to BGV Kassen

Specifications

Series	eneo W3 Plug & Play
System	day&night
Video standard	CCIR/PAL
Sensor size	1/3"
Imager	CCD
Imager	Sony Super HAD Interline Transfer
Active picture elements	440,000, 752(H) x 582(V)
Synchronization	Internal/Line-lock (automatic detection depend on power source)
Signal-to-noise ratio	48dB
Gamma correction	approx. 0.45
Horizontal resolution	540 TVL
Sensitivity (at 50% video signal)	0,5 Lux
Sensitivity (at 50% video signal)	(colour), 0.24Lux (B&W) at F1.2 (measured)
Automatic electronic shutter (ESC)	1/50 ~ 1/100,000sec.
Low speed shutter	no





Specifications (continued)

Automatic gain control (AGC)	28dB max. Normal (Turbo +6dB), AGC OFF
Digital Noise Reduction (DNR)	no
White balance	2000 ~ 8000K, automatic tracking
Backlight compensation	BLC
Backlight compensation	center weighted (ON/OFF switchable)
Wide Dynamic Range (WDR)	no
IR cut filter	switchable
Internal adjustments	8 Dip switches: Internal/Line-lock synchronization, ELC/ALC (Shutter/Auto-Iris), BLC ON/OFF, AGC Normal/Turbo, Flickerless ON/OFF, Sharpness Normal/Sharp, Day/Night mode Enabled/Disabled, IR mode ON/OFF (Iteration reduction between day and night position). 2 Potentiometers: Level for DC controlled iris, V. phase adjustment (220° min. adjustable)
Video outputs	composite (CVBS)
Lens type	varifocal
Lens	F1.2/F2.0 ~ 360/3.8 ~ 9.5mm with galvanometer controlled iris
Focal length	3,8 mm - 9,5 mm
e-PTZ support	no
Digital zoom	no
Horizontal angle of view	74,2° - 30°
Iris control	DC
MOD (Minimum object distance)	0,15 m
Illumination	no
Activity detection	no
Serial interfaces	no
Cable connection	Wiring for video and voltage supply made, accessible from outside (1.5m long, Video: BNC jack 12/24V input: 2-pin screw terminal)
Kind of mounting	Integrated wall mount with ball joint
Mounting	wall or ceiling*
Temperature range (operation)	-20°C ~ +50°C
Housing material	aluminium
Housing	outdoor
Integrated wall mount	yes
Hidden cable management	yes
Window screen	acrylic glass (clear)
Sunshield	no
Window heater	no
Colour (housing)	Pantone 7541
Vandalism resistant	no
Protection rating	IP67
Alarm inputs	no
Alarm outputs	no
Supply voltage	12VDC, 24VAC
Supply voltage	(10.5 ~ 30VDC, 12 ~ 29VAC)
Power consumption	approx. 5,0W
Weight	approx. 680g

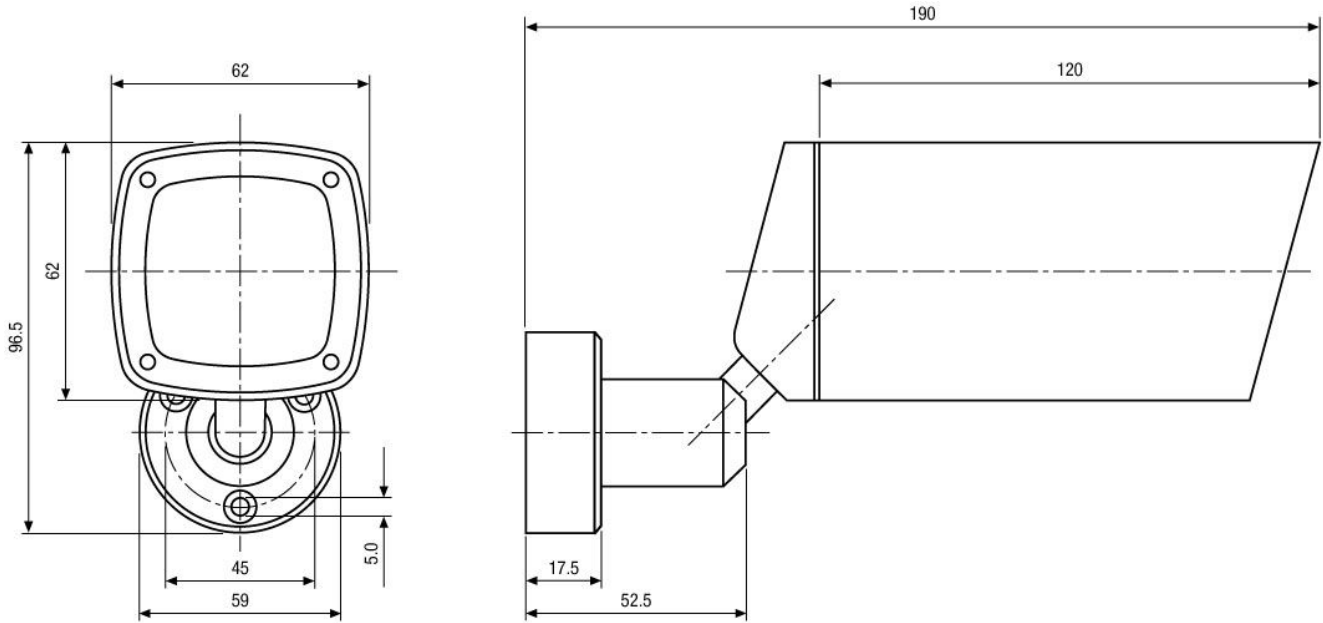
Specifications (continued)

Parts supplied	Camera, Manual, "Easy installation" adapter cable, Heat shrink tube
Certificates	CE

Optional Accessories

Image	Artikel-Nr. / Typ	Description
	VT-PS12DCDT1	PSU 12VDC/1.0A, Regulated, Desktop Version, 1.8m Cables each w. open ends
	VT-PS12DC-10	Plugable AC/DC Adapter 100-240V/12VDC- 2.5A, stab., Cont. & UK Mains plug-ins
	W3 INST-KIT1	Installation Kit for W3 Housings with Hidden Junction Boxes
	PM-42	Pole Mount Adapter, for Housing Series Candid, W3 Plug&Play

Technical Drawing



Maße/Dimensions: mm

Your partner for eneo products:

