



## GLC-1702

Article-No.: 96093

1/3" Network Camera,  
Day&Night, F1,2/3,8-9,5mm,  
DSS, 704x576, 12VDC

### Mainfeatures

Weatherproof camera with swivel head bracket  
Removable IR cut filter  
Sensitivity enhancement: 32x max. (DSS function)  
Integrated web server: 10Base-T/100Base-TX  
Viewer for monitoring, recording and configuration  
Supply voltage: 12VDC

1/3" D&N CCD camera with DC lens F1.2/3.8-9.5mm  
High and low speed shutter control (ESC/DSS)  
Backlight compensation (BLC)  
MJPEG and MPEG-4 compression (GL series)  
Email (FTP), GPIO notification in case of an alarm  
Fully hidden cable routing/Protection rating: IP67

### Specifications

Series	eneo W3 Plug & Play
Resolution standard	SD
System	day&night
Video standard	CCIR/PAL
Sensor size	1/3"
Imager	CCD
Imager	Sony Super HAD II Interline Transfer
Sensitivity (at 50% video signal)	0,2 Lux
Sensitivity (at 50% video signal)	(colour), 0.025Lux (B&W) at F1.2 (measured)
Horizontal resolution	520 TVL
Automatic gain control (AGC)	28dB max.
Automatic electronic shutter (ESC)	1/50 - 1/100,000sec.
Digital Noise Reduction (DNR)	no
Low speed shutter	yes
White balance (ATW)	2000 - 8000K, Automatic tracking
Backlight compensation	BLC



## Specifications (continued)

Wide Dynamic Range (WDR)	no
Backlight compensation	center weighted
IR cut filter	switchable
Privacy zones masking	no
Activity detection	yes
Motion detector	96 zones, 5 levels sensitivity (MJPEG)
Picture adjustments	Color, Brightness, Contrast (via Network)
External adjustments	DSS On/Off, DSS 8x/16x, Level control for DC controlled iris
Video outputs	composite (CVBS)
Video outputs	1Vp-p, (C)VBS, 75ohms, BNC
Audio support	no
Alarm inputs	1
Alarm inputs	1
Alarm outputs	1
Alarm handling	e-mail (FTP), GPIO output. SMPT recording
Internal storage	no
Compression standard	MJPEG, MPEG-4
Resolution max.	720x576
Resolution	720x576 (4:3), 720x288 (4:3), 352x288 (4:3)
MPEG4 Quality	5 fixed levels and customized Bitrate (from 64kBps ~ 8MBps)
Transmission rate (Network)	up to 2 MB/sec.
Image transmission rate max.	25 B./Sek.
Frame rate	25 / 24 /15 / 5 Fps.
Network connection	RJ-45
Ethernet interface	10Base-T, 100Base-TX
Network protocols	TCP/IP, DHCP, HTTP, FTP, SMTP, SNMP, DDNS, UPnP, PPPoE
Stream types	MPEG-4, MJPEG alternating
Lens type	varifocal
Lens	F1.2/F2.0 ~ 360/3.8 ~ 9.5mm with galvanometer controlled iris
Focal length	3,8 mm - 9,5 mm
Digital zoom	no
Horizontal angle of view	74,2° - 30°
Iris control	DC
MOD (Minimum object distance)	0,15 m
Filter screw size	not available
Hidden Cable Management Support	yes
Cable connection	Video (BNC), 12VDC (DC jack), RJ-45 (8 pin), Alarm in (2 wire open end cable)
Serial interfaces	no
Remote configuration	via web browser, remote software
Access	8 users simultaneous support
Firmware update	HTTP or FTP
Password protection	3 password levels
Password protection	yes
e-PTZ support	no
Supply voltage	12VDC
Supply voltage	(9~18VDC)

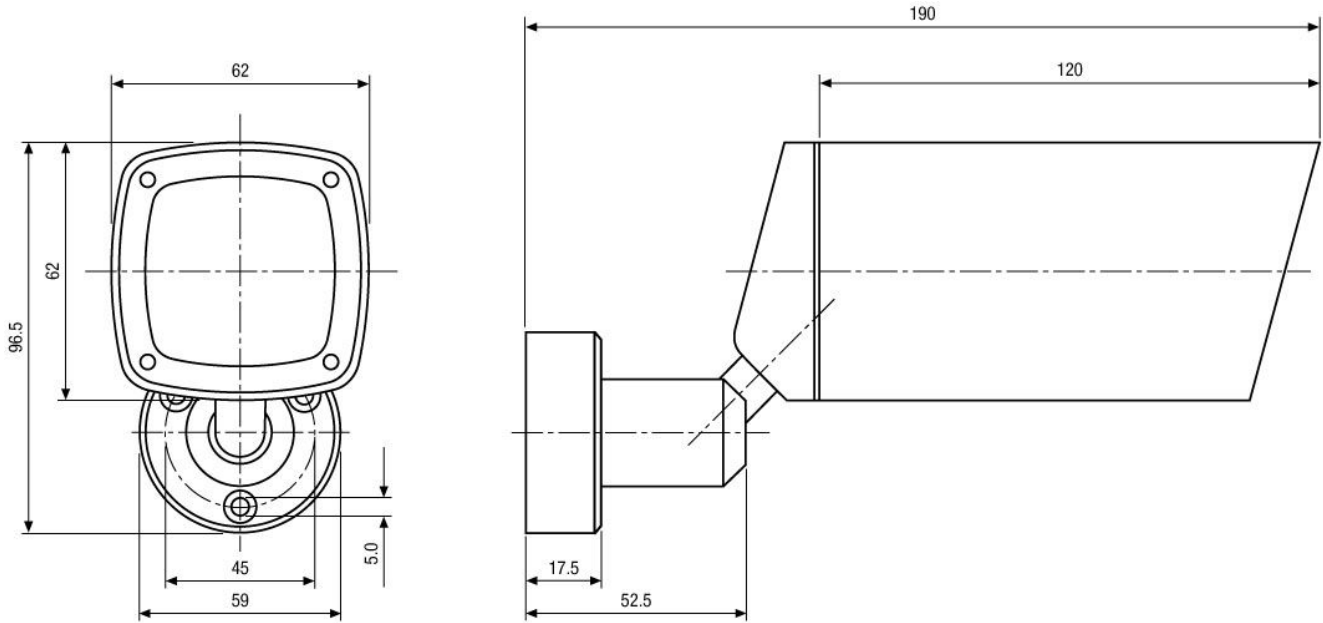
## Specifications (continued)

Power over Ethernet	no
Power consumption	4.2W
Temperature range (operation)	-20°C ~ +50°C
Housing	aluminium with clear polycarbonate window
Mounting	wall mount
Colour (housing)	Pantone 7541
Housing material	aluminium
Housing	outdoor
Protection rating	IP67
Integrated wall mount	yes
Hidden cable management	yes
Sunshield	no
Window heater	no
Vandalism resistant	no
Management Software Support	GL-Manager, Zelaris, Aimetis - Symphony, Netavis, Milestone XProtect Corporate
SDK	no
ONVIF	no
Dimensions (HxWxD)	see drawing
Weight	785g
Certificates	CE

## Optional Accessories

Image	Artikel-Nr. / Typ	Description
	VT-PS12DC-8	Plug-in Power Supply Unit 100-240VAC 12VDC (1.0Amp), Regulated, with DC Plug
	ZELARIS ELEMENTS	

## Technical Drawing



Maße/Dimensions: mm

Your partner for eneo products:

