



VKC-1333A-IR/W3

Article-No.: 96095

1/3" Camera, Day&Night,
F1.2/3.8-9.5mm, 540TVL, IR
Illumination, 12VDC/24VAC

Mainfeatures

Weatherproof Camera with Swivel Head Bracket
Sensitivity of 0.2Lux at F1.2
Sensitivity Enhancement: 6x/8x (DSS Function)
Optimized Noise Reduction Function (DSP S/W)
30m Night Observation Distance (50° LED§s)
IR corrected Lens with No-Focus-Shift

1/3" Day/Night CCD Camera with Varifocal Lens
Removable IR Cut Filter
Automatic Frame Integration Rate Control
IR Illumination by 15 integrated 850nm LEDs
Dynamic (Light) Intensity Control (DIC)
Hidden Cable Routing / Protection Rating: IP67

Specifications

Series	eneo W3 Plug & Play
System	day&night
Video standard	CCIR/PAL
Sensor size	1/3"
Imager	CCD
Imager	Sony Super HAD Interline Transfer
Active picture elements	440,000, 752(H) x 582(V)
Synchronization	Internal/Line-lock
Signal-to-noise ratio	48dB
Gamma correction	approx. 0.45
Horizontal resolution	540 TVL
Sensitivity (at 50% video signal)	0,2 Lux
Sensitivity (at 50% video signal)	(colour) at F1.2 (measured)
Automatic electronic shutter (ESC)	1/50 ~ 1/100,000sec.
Low speed shutter	yes
Low speed shutter	6x/8x, slectable





Specifications (continued)

Automatic gain control (AGC)	28dB max. (AGC OFF)
Digital Noise Reduction (DNR)	no
White balance	2000 ~ 8000K, automatic tracking
Backlight compensation	BLC
Backlight compensation	center weighted
Wide Dynamic Range (WDR)	no
IR cut filter	switchable
Internal adjustments	4 Dip switches: Sync. Int/LL, ELC/ALC (Shutter/Auto-Iris), Day/Night On/Off. Potentiometer: Level for DC controlled iris.
Video outputs	composite (CVBS)
Lens type	varifocal
Lens	F1.2/F2.0 ~ 360/3.8 ~ 9.5mm with galvanometer controlled iris
Focal length	3,8 mm - 9,5 mm
e-PTZ support	no
Digital zoom	no
Horizontal angle of view	74,2° - 30°
Iris control	DC
MOD (Minimum object distance)	0,15 m
Illumination	infrared
Illumination	15x LED's 850nm at 50° illumination angle. Due to an integrated light sensor the LED illumination will be switched ON/OFF, depending on environmental illumination conditions.
Illumination range	approx. 30m (at a good light reflexion and 40% Videosignal)
Dynamic Light Intensity Control (DIC)	Avoids signal saturation caused by excessive object illumination, or reflection and extends IR LED's life. Limits the increase of current caused by rising temperature or input voltage variation.
Activity detection	no
Serial interfaces	no
Cable connection	Wiring for video and voltage supply made, accessible from outside (1.5m long, Video: BNC jack 12/24V input: for DC plug 2.1/5.5mm)
Kind of mounting	Integrated wall mount with ball joint
Mounting	wall or ceiling*)
Temperature range (operation)	-20°C ~ +50°C
Housing material	aluminium
Housing	outdoor
Integrated wall mount	yes
Hidden cable management	yes
Window screen	acrylic glass (clear)
Sunshield	no
Window heater	no
Colour (housing)	Pantone 7541
Vandalism resistant	no
Protection rating	IP67
Alarm inputs	no
Alarm outputs	no
Supply voltage	12VDC, 24VAC
Supply voltage	(10.5 ~ 30VDC, 12 ~ 29VAC)

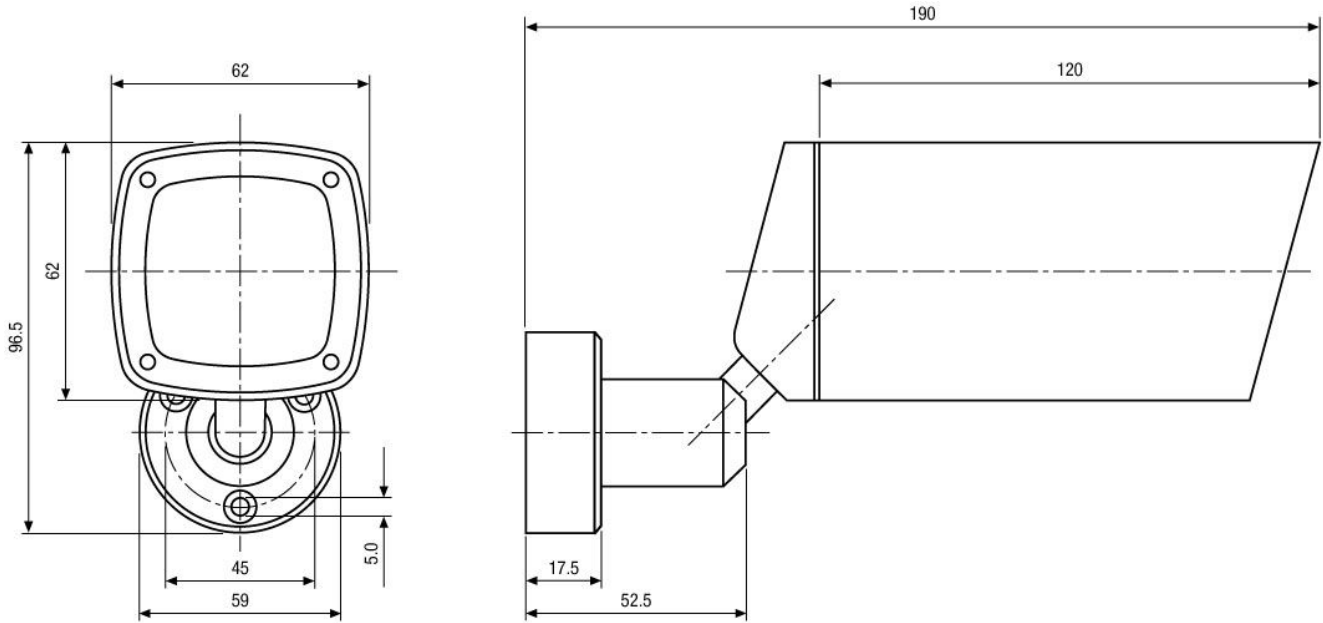
Specifications (continued)

Power consumption	5W
Dimensions (HxWxD)	see drawing
Weight	680g
Parts supplied	Camera, Manual, "Easy installation" adapter cable, Heat shrink tube
Certificates	CE

Optional Accessories

Image	Artikel-Nr. / Typ	Description
	VT-PS12DCDT1	PSU 12VDC/1.0A, Regulated, Desktop Version, 1.8m Cables each w. open ends
	VT-PS12DC-7	Plugable PSU w. Cont. & UK Mains plug-in 100-240VAC/12VDC-1.25A, Regulated
	NE-132/AC24V	Power Supply Unit 230VAC/24VAC (1.0A)
	W3 INST-KIT1	Installation Kit for W3 Housings with Hidden Junction Boxes

Technical Drawing



Maße/Dimensions: mm

Your partner for eneo products:

